

CONTENTS

1. DESCRIPTION AND INTENDED USE OF THE DEVICE	3
2. TECHNICAL DATA	4
3. RECOMMENDATIONS	5
4. SYSTEM MODIFICATION AND CONFIGURATION	5
4.1. WALL MODIFICATION AND CONFIGURATION	7
4.2. SHOT MODIFICATION AND CONFIGURATION	9
4.3. HANG MODIFICATION AND CONFIGURATION	11
4.4. MEDIUM MODIFICATION AND CONFIGURATION	13
4.5. LONG MODIFICATION AND CONFIGURATION	16
5. SYSTEM INSTALLATION	19
5.1. SURFACE-MOUNTED WALL MOUNTING	19
5.2. SUSPENDED RIGID HANGERS MOUNTING	21
5.3. SUSPENDED CABLE MOUNTING	26
5.4. SUSPENDED MOUNTING USING THE SUSPENSION KIT FOR ROUND TRACKS	28
6. USE OF INSULATING PAPER IN THE INSTALLATION OF DUAL-LEVEL ELECTRICAL CIRCUITS	30
7. CONNECTING THE LUMINAIRE TO THE BUSBAR SYSTEM	32
8. POWER SUPPLY UNIT CONNECTION	32
8.1. INSTALLATION OF THE WALL AND CEILING BASE FOR THE POWER SUPPLY UNIT	32
8.2. CONNECTING THE POWER SUPPLY UNIT TO THE SIDE POWER INLET	35
8.3. CONNECTING THE POWER SUPPLY UNIT VIA CEILING MOUNT WITH POWER INLET	37
8.4. CONNECTING THE POWER SUPPLY UNIT VIA A SUSPENSION KIT FOR ROUND BUSBARS	39
9. OPERATING RULES	41
10. ADDITIONAL INFORMATION	42
10.1. TROUBLESHOOTING	42
10.2. STORAGE	43
10.3. TRANSPORTATION	43
10.4. DISPOSAL	43
10.5. CERTIFICATION	43
10.6. WARRANTY	43
10.7. MANUFACTURER	44
10.8. IMPORTER	44

1. DESCRIPTION AND INTENDED USE OF THE DEVICE

The Flarity Magnetic Modular Track System serves as the foundation for constructing track lighting systems. It is designed to mount and supply power to Flarity track luminaires in a DC network with a nominal voltage of 24V. The system supports both wall and ceiling mounting options and is compatible with materials that are normally flammable.

Mounting can be achieved using either rigid fixtures or cable hanger.

Track is available in the following color:

Brass with electroplated finish.

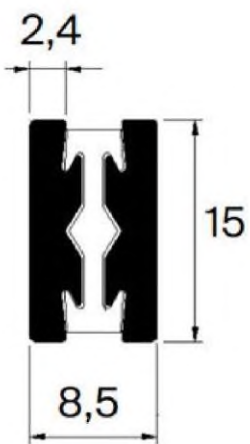
Comes in three configurations:

Straight segments: 1 meter and 2 meters in length.

Circular tracks: 650 mm and 800 mm in diameter. Semi-circular cross-section tracks: 650 mm and 800 mm in diameter. The segments can be cut at any point using specialized equipment, allowing for the creation of various configurations, ranging from simple to multi-level light installations. The Flarity system supports group dimming functions when used with appropriate power supplies that operate on the DALI protocol. Additionally, it supports dimming methods such as 0/1-10V, Triac, and PWM (using dimmers, controllers, and remotes for LED strips).

2. TECHNICAL DATA

Power supply voltage	DC 24 V
Amperage	Max 4A
Cross section of conductive parts	2 * 2 mm ²
Electrical class	III
Mounting method	Surface-mounted/Suspended on rigid mountings or cable hangers
Ingress protection code	IP20
Boreal climate	UHL4
Operating temperature	0°C...+50°C
Material	Aluminum
Color	Brass*


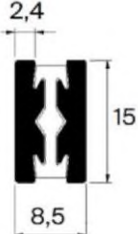




***Attention!** Possible discoloration may occur due to the electroplating process in brass-colored models and accessories.


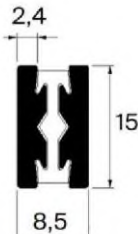


3. RECOMMENDATIONS

Spacing of fixtures	At least three every two meters
Max weight of luminaires per 1 meter	5 kg
Max weight of luminaires per 2 meters	8 kg
Max mechanical load on the suspension	5 kg
Max length of the structure	10 meters

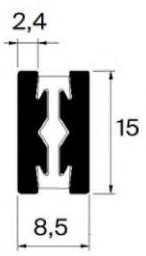

4. SYSTEM MODIFICATION AND CONFIGURATION

NAME	ARTICLE	DRAWING	PHOTO
Track 1 m	 Brass TRX154-111BS		
Track 2 m	 Brass TRX154-112BS		

The straight track is used to create lighting compositions in the Flarity system. Available in a trendy brass color with a galvanic coating, this finish provides durable anti-corrosion protection and resistance to wear and tear.

NAME	ARTICLE	DRAWING	PHOTO
Semi-circular cross-section track 650 mm	 Brass TRX154-SR-D650-BS		
Semi-circular cross-section track 800 mm	 Brass TRX154-SR-D800-BS		

Semi-circular cross-section track, available in two sizes (650 mm and 800 mm diameter), are used to create oval-shaped lighting compositions in the Flarity system, supported by TRX154 straight tracks. The brass color with galvanic coating provides durable anti-corrosion protection and resistance to wear and tear.


NAME	ARTICLE	DRAWING	PHOTO
Round track 650 mm	Brass TRX154-R-D650-BS		
Round track 800 mm	Brass TRX154-R-D800-BS		


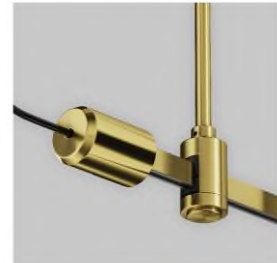
Round tracks, available in two sizes (650 mm and 800 mm diameter), are used to create lighting compositions in the Flarity system. The brass color with galvanic coating provides durable anti-corrosion protection and resistance to wear and tear.

NAME	ARTICLE	PHOTO
Suspension kit with integrated power supply base for round track mounting	Brass TRA154SW-BB-R-BS	



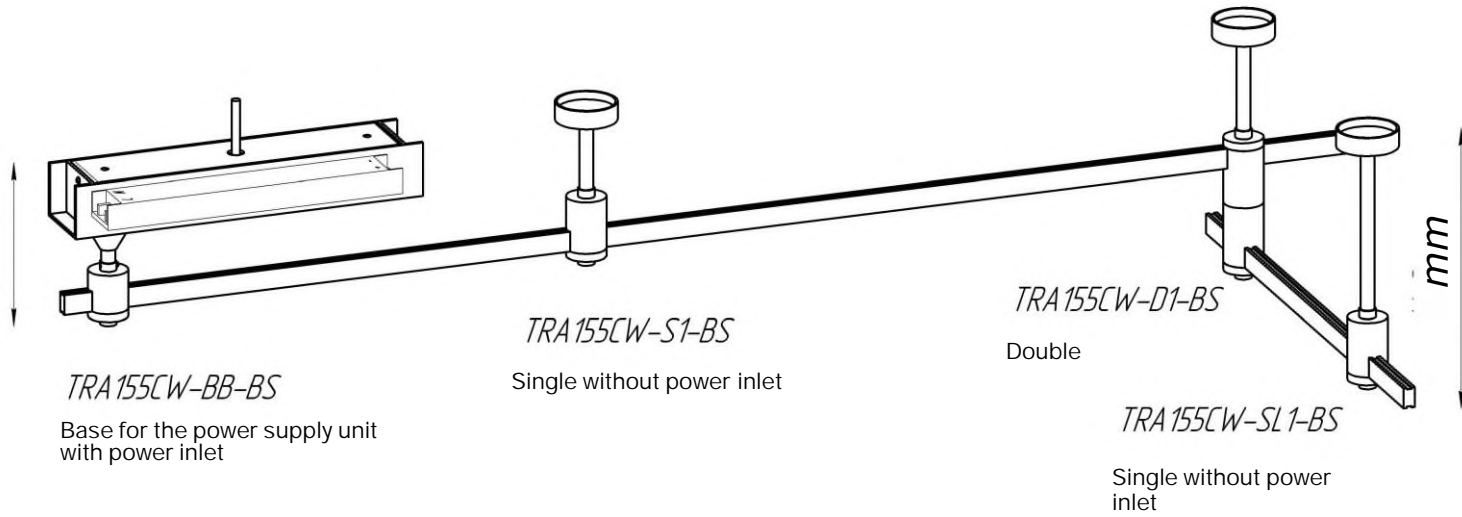

Suspension kit with integrated power supply base for Flarity round tracks mounting is used to create suspended light compositions with TRX154 series round tracks.

NAME	ARTICLE	PHOTO
Side power inlet	Brass TRA154C-SB1-BS	

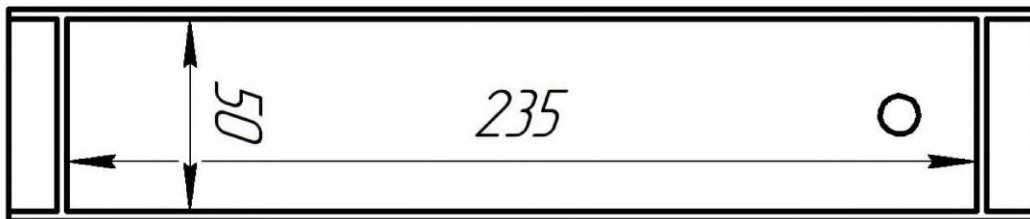





The Flarity side power inlet is used to connect the Flarity track system to a 24V power supply unit behind the ceiling with a side connector for installing a track. It is suitable for all versions of Short, Hang, Medium, and Long components, with an adjustable wire length from 200 to 1.200 mm.

4.1. WALL MODIFICATION AND CONFIGURATION





Internal dimensions of the power supply base



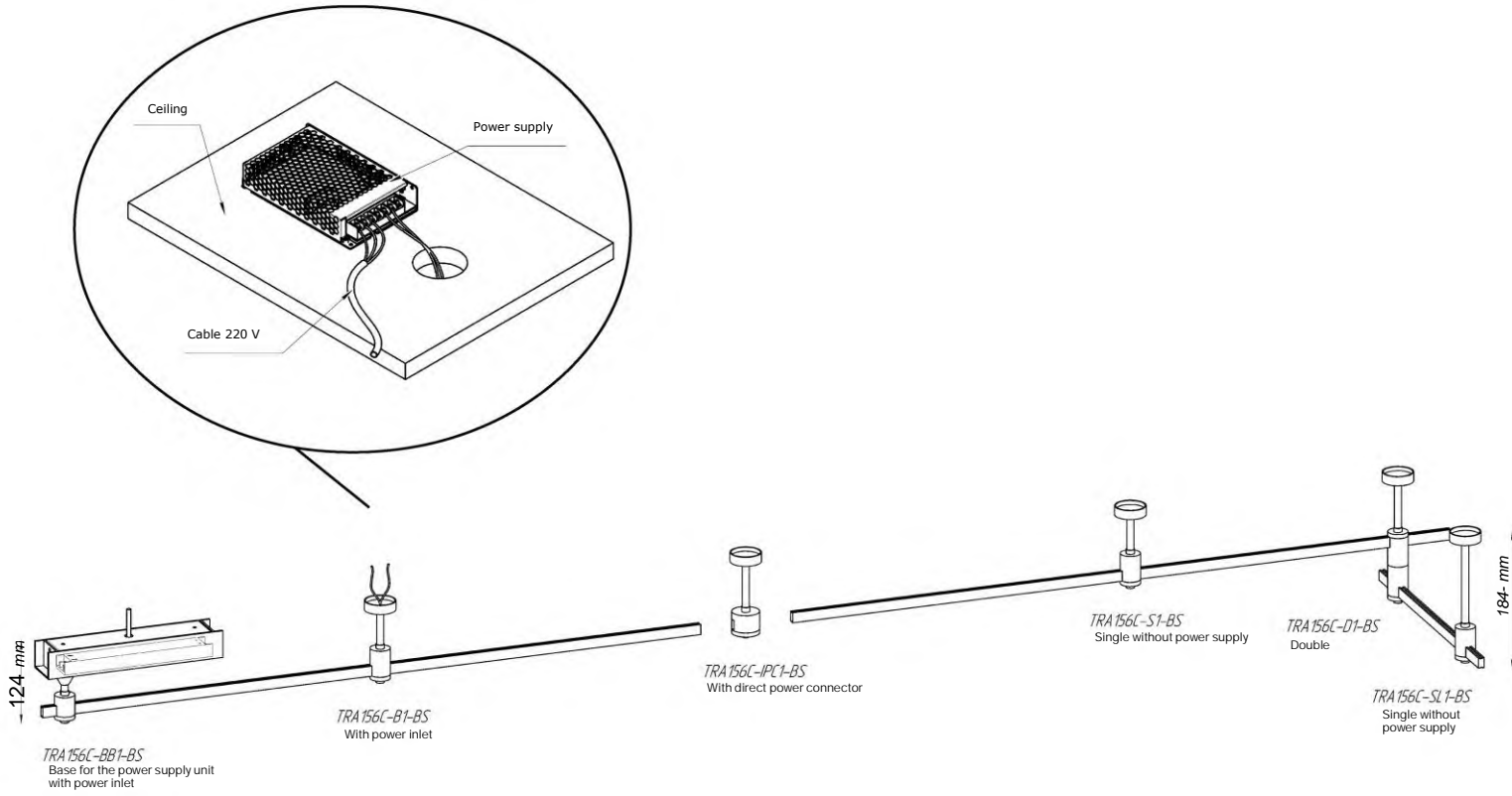
NAME	ARTICLE	PHOTO	H, mm	Ø, mm	W, mm	L, mm
Wall base for the power supply unit with power inlet	 Brass TRA155CW -BB-BS		89	—	55	265







NAME	ARTICLE	PHOTO	H, mm	Ø, mm	W, mm	L, mm
Wall single wall mount	 Brass TRA155CW -S1-BS		89	29	29	29

NAME	ARTICLE	PHOTO	H, mm	Ø, mm	W, mm	L, mm
Wall double wall mount	 Brass TRA155CW -D1-BS		149	29	29	29

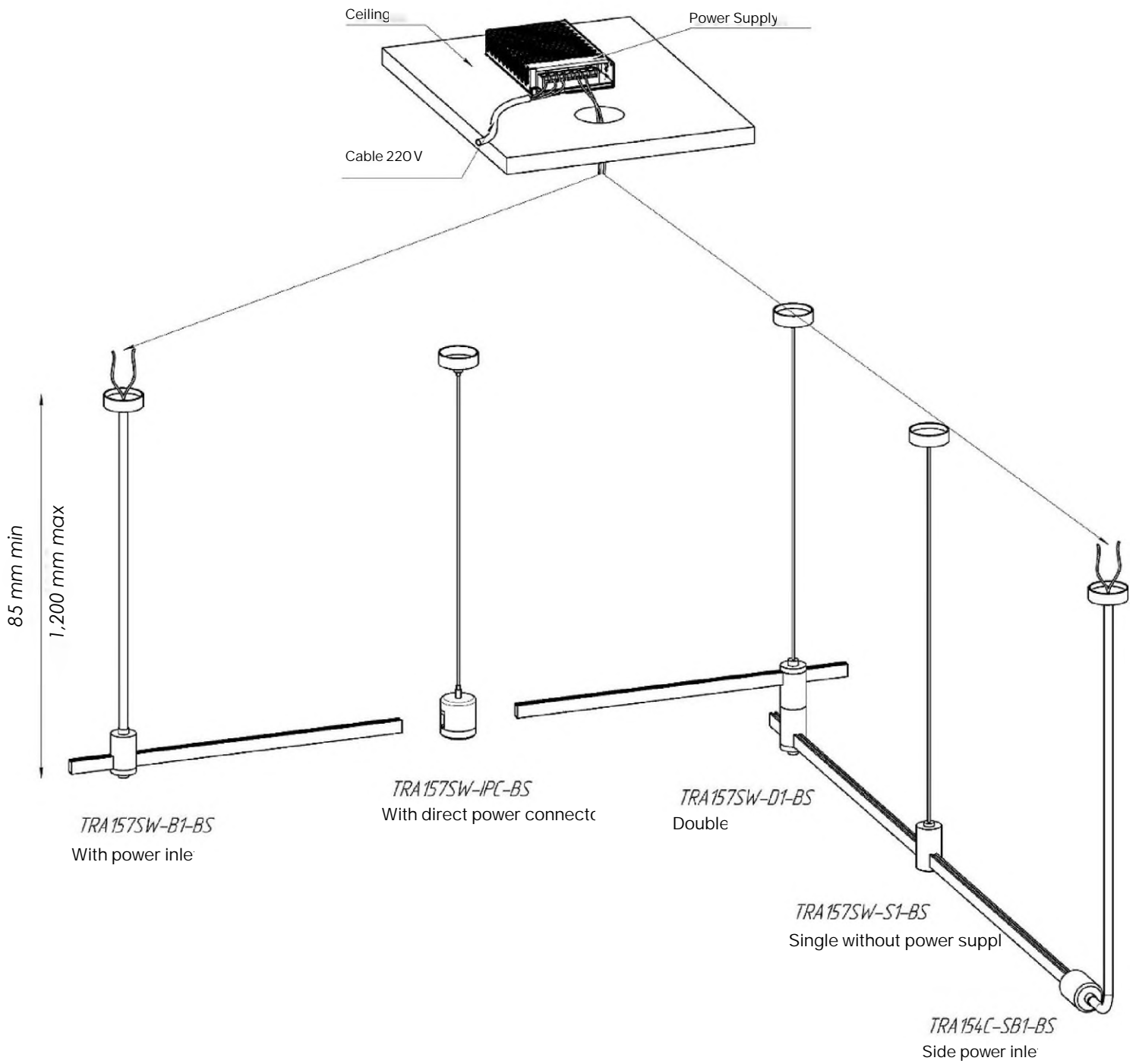
NAME	ARTICLE	PHOTO	H, mm	Ø, mm	W, mm	L, mm
Wall single wall mount elongated	 Brass TRA155CW -SL1-BS		149	29	29	29



4.2. SHORT MODIFICATION AND CONFIGURATION







NAME	ARTICLE	PHOTO	H, mm	Ø, mm	W, mm	L, mm
Short ceiling base for the power supply unit with power inlet	Brass TRA156C - BB1-BS		124	–	55	265
NAME	ARTICLE	PHOTO	H, mm	Ø, mm	W, mm	L, mm
Short ceiling mount with power inlet 78 mm	Brass TRA156C - B1-BS		124	29	29	45
NAME	ARTICLE	PHOTO	H, mm	Ø, mm	W, mm	L, mm
Short single ceiling mount 78 mm	Brass TRA156C - S1-BS		124	29	29	45
NAME	ARTICLE	PHOTO	H, mm	Ø, mm	W, mm	L, mm
Short single ceiling mount 138 mm	Brass TRA156C - SL1-BS		184	29	29	45
NAME	ARTICLE	PHOTO	H, mm	Ø, mm	W, mm	L, mm
Short double ceiling mount 78 mm	Brass TRA156C - D1-BS		184	29	29	45
NAME	ARTICLE	PHOTO	H, mm	Ø, mm	W, mm	L, mm
Short ceiling mount with direct power connector 78 mm	Brass TRA156C - IPC1-BS		124	40	40	45



4.3. HANG MODIFICATION AND CONFIGURATION



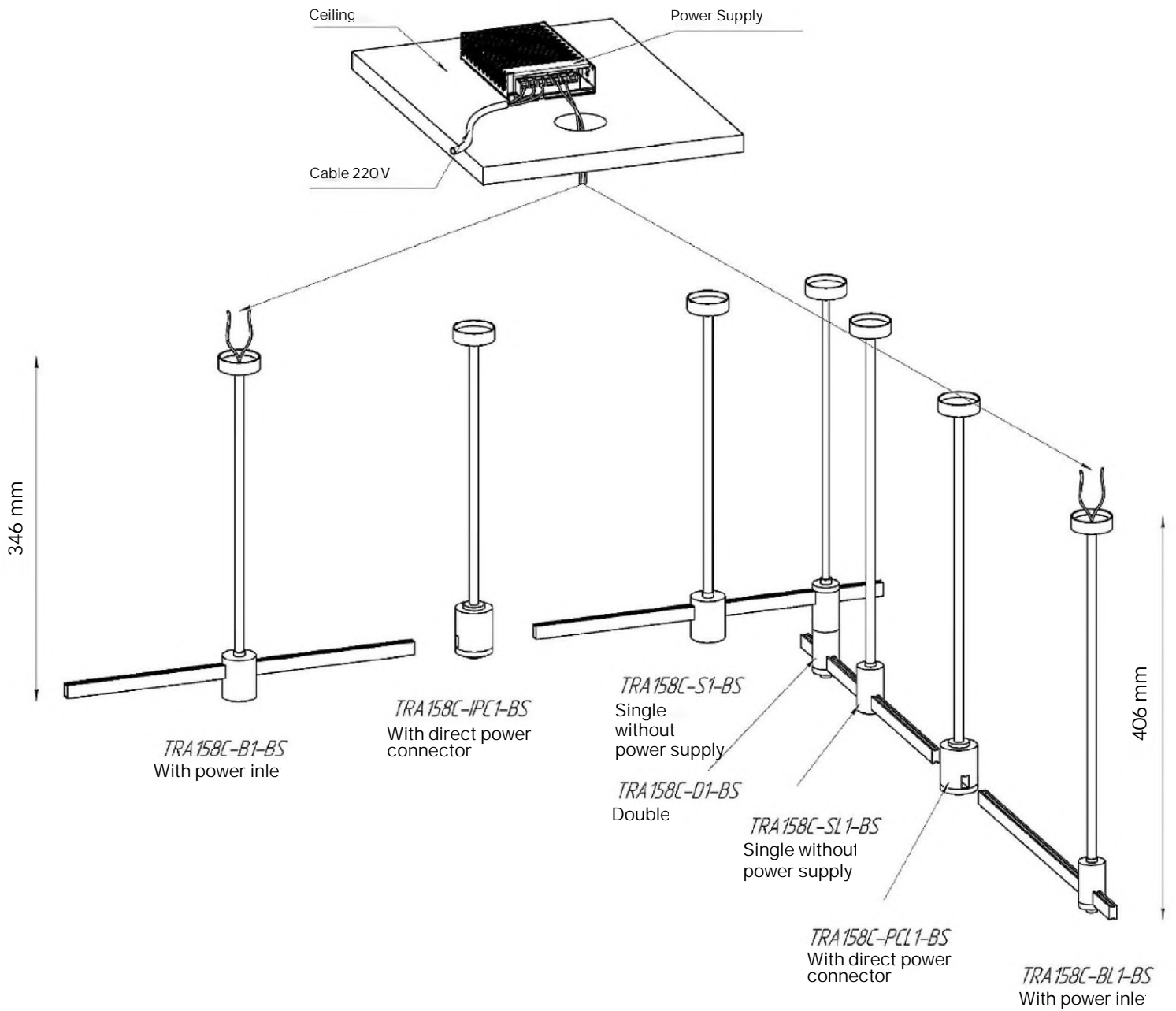
NAME	ARTICLE	PHOTO	H, mm	Ø, mm	W, mm	L, mm
Hang cable suspension with power supply inlet	 Brass TRA157SW-B1-BS		—	29	29	45



NAME	ARTICLE	PHOTO	H, mm	Ø, mm	W, mm	L, mm
Hang single cable suspension	 Brass TRA157SW-S1-BS		—	29	29	45



NAME	ARTICLE	PHOTO	H, mm	Ø, mm	W, mm	L, mm
Hang double cable suspension	 Brass TRA157SW-D1-BS		—	29	29	45


NAME	ARTICLE	PHOTO	H, mm	Ø, mm	W, mm	L, mm
Hang cable suspension with direct power connector	 Brass TRA157SW-IPC1-BS		—	40	40	45

4.4. MEDIUM MODIFICATION AND CONFIGURATION







NAME	ARTICLE	PHOTO	H, mm	Ø, mm	W, mm	L, mm
Medium ceiling mount with power inlet 300 mm	 Brass TRA158C-B1-BS		346	29	29	45



NAME	ARTICLE	PHOTO	H, mm	Ø, mm	W, mm	L, mm
Medium ceiling mount with power inlet 360 mm	 Brass TRA158C-BL1-BS		406	29	29	45

NAME	ARTICLE	PHOTO	H, mm	Ø, mm	W, mm	L, mm
Medium single ceiling mount 300 mm	 Brass TRA158C-S1-BS		346	29	29	45

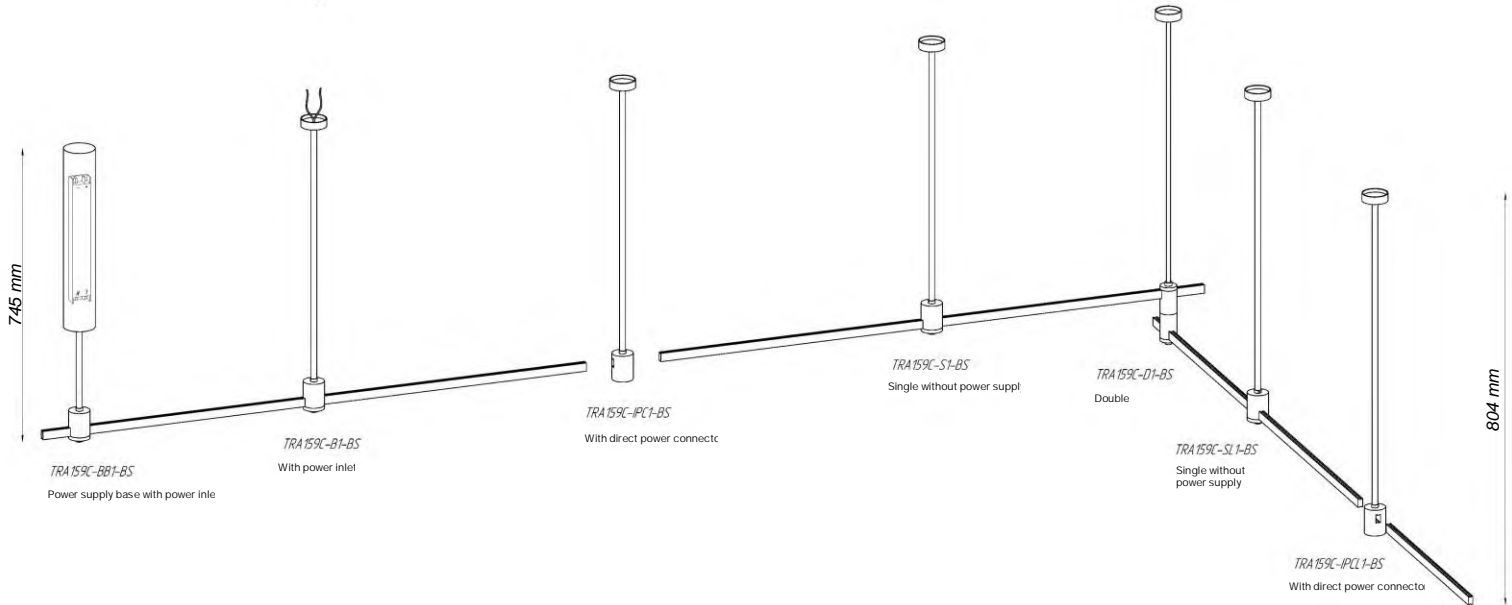
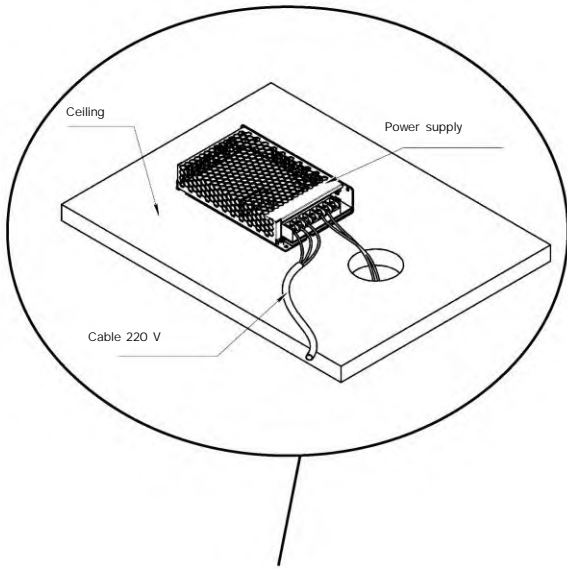
NAME	ARTICLE	PHOTO	H, mm	Ø, mm	W, mm	L, mm
Medium double ceiling mount 300 mm	 Brass TRA158C-D1-BS		406	29	29	45



NAME	ARTICLE	PHOTO	H, mm	Ø, mm	W, mm	L, mm
Medium single ceiling mount 360 mm	 Brass TRA156C-SL1-BS		406	29	29	45



NAME	ARTICLE	PHOTO	H, mm	Ø, mm	W, mm	L, mm
Medium ceiling mount with direct power connector 300 mm	 Brass TRA158C-IPC1-BS		346	40	40	45

NAME	ARTICLE	PHOTO	H, mm	Ø, mm	W, mm	L, mm
Medium ceiling mount with direct power connector 300 mm	 Brass TRA158C-IPCL1-BS		406	40	40	45



4.5. LONG MODIFICATION AND CONFIGURATION







NAME	ARTICLE	PHOTO	H, mm	Ø, mm	W, mm	L, mm
Long ceiling base for the power supply unit with power inlet 385 mm	 Brass TRA159C-BB1-BS		745	29	29	65



NAME	ARTICLE	PHOTO	H, mm	Ø, mm	W, mm	L, mm
Long ceiling mount with power inlet 700 mm	 Brass TRA159C-B1-BS		745	29	29	45

NAME	ARTICLE	PHOTO	H, mm	Ø, mm	W, mm	L, mm
Long single ceiling mount 700 mm	 Brass TRA159C-S1-BS		745	29	29	45

NAME	ARTICLE	PHOTO	H, mm	Ø, mm	W, mm	L, mm
Long double ceiling mount 700 mm	 Brass TRA159C-D1-BS		806	29	29	45

NAME	ARTICLE	PHOTO	H, mm	Ø, mm	W, mm	L, mm
Long single ceiling mount 760 mm	 Brass TRA159C-SL1-BS		806	29	29	45

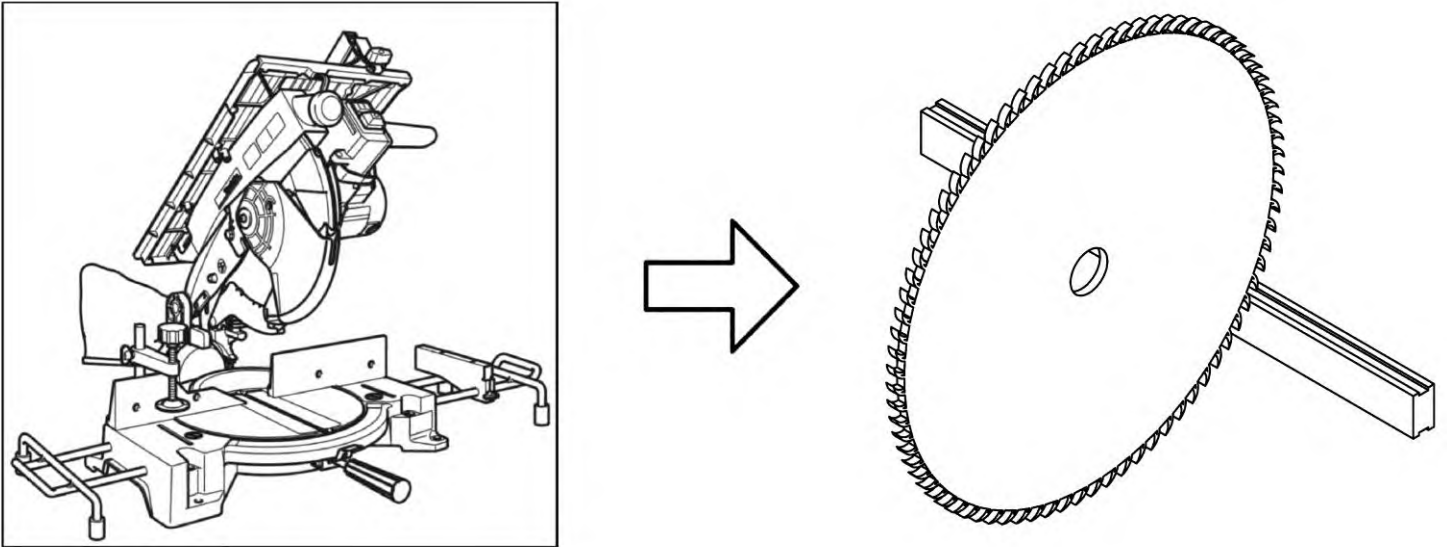
NAME	ARTICLE	PHOTO	H, mm	Ø, mm	W, mm	L, mm
Long ceiling mount with direct power connector 700 mm	 Brass TRA159C-IPC1-BS		745	40	40	45

NAME	ARTICLE	PHOTO	H, mm	Ø, mm	W, mm	L, mm
Long ceiling mount with direct power connector 760 mm	 Brass TRA159C-IPCL1-BS		806	40	40	45

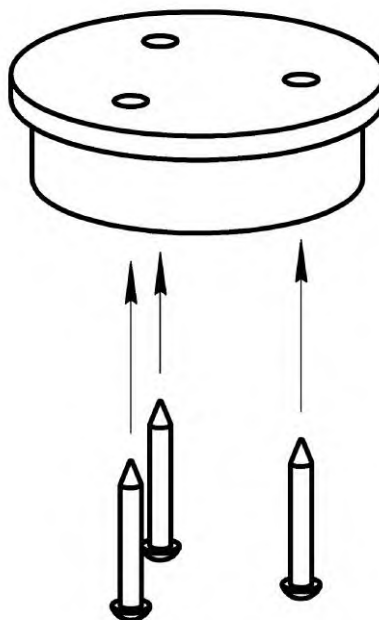
5. SYSTEM INSTALLATION

5.1. SURFACE-MOUNTED WALL MOUNTING

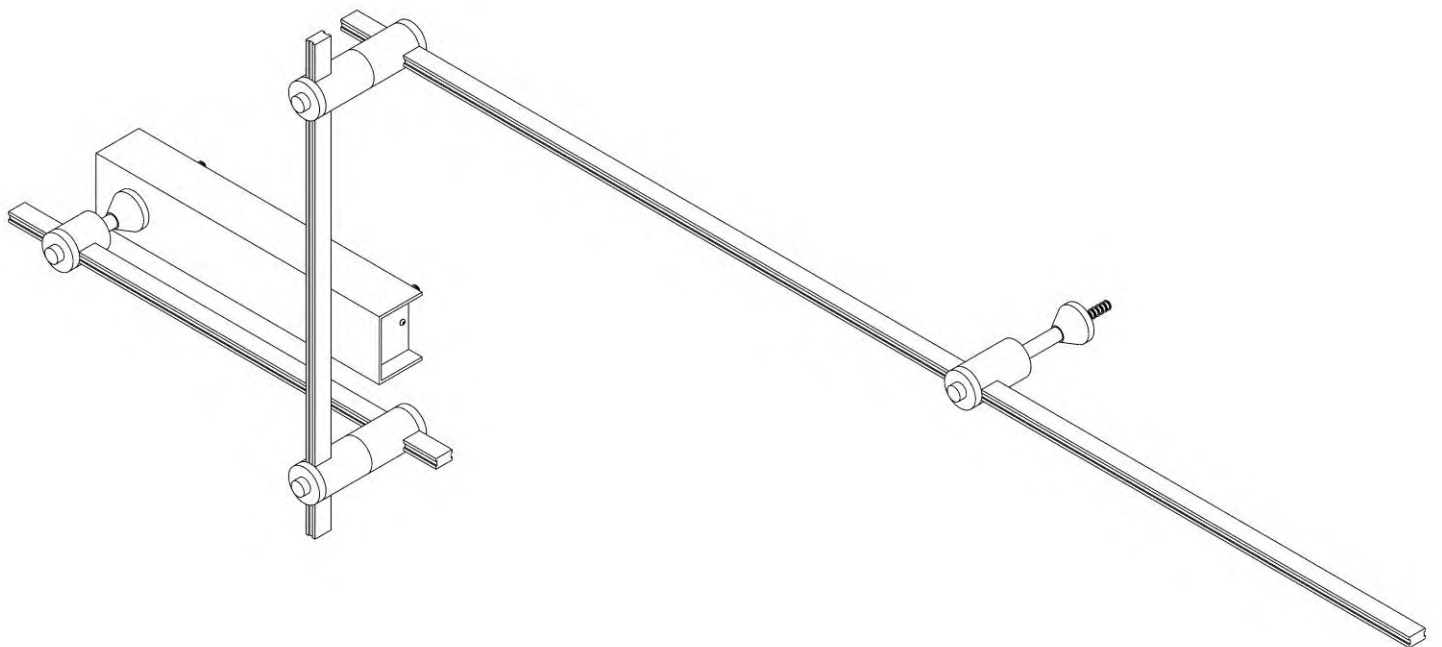
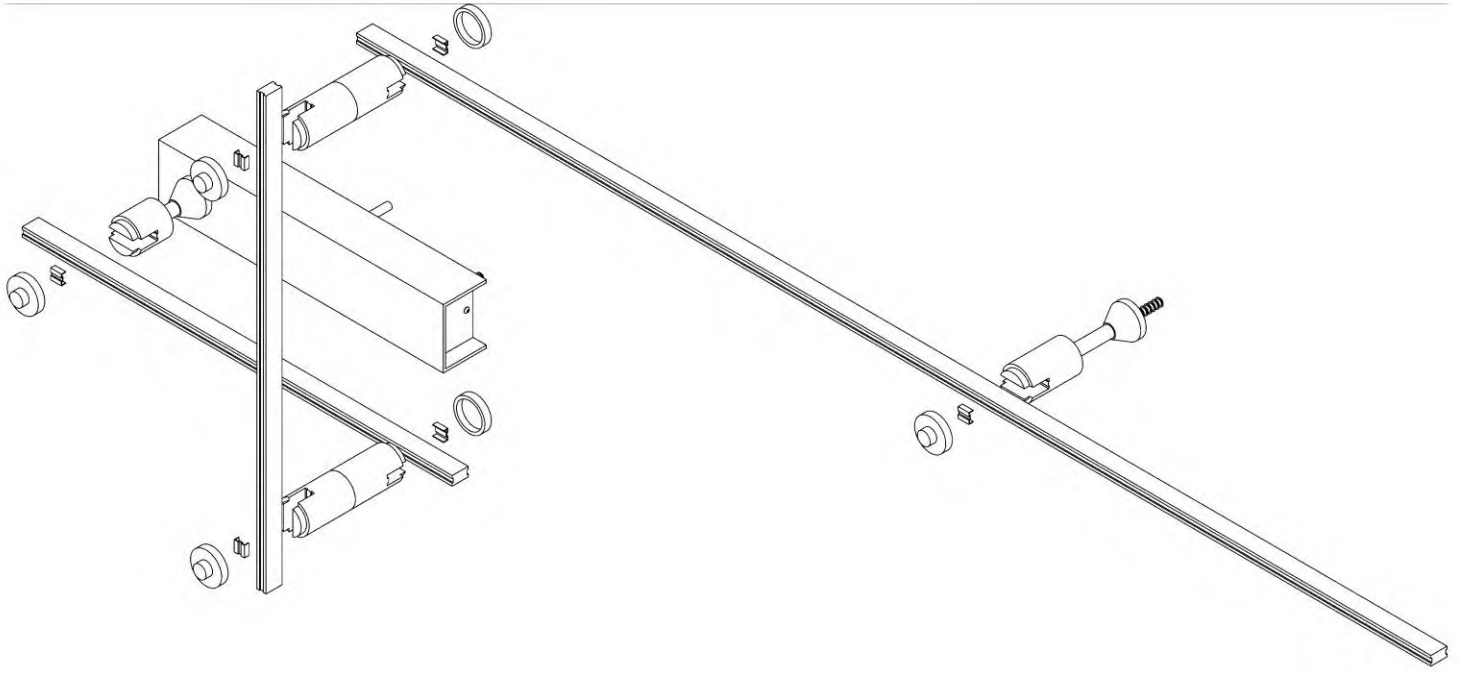
1. Mark the ceiling as per your design specifications. Ensure easy accessibility if using a remote power supply;
2. If needed, cut the track to the required length at a 90-degree angle;



3. Install all necessary wall mount bases on the ceiling according to the markings;

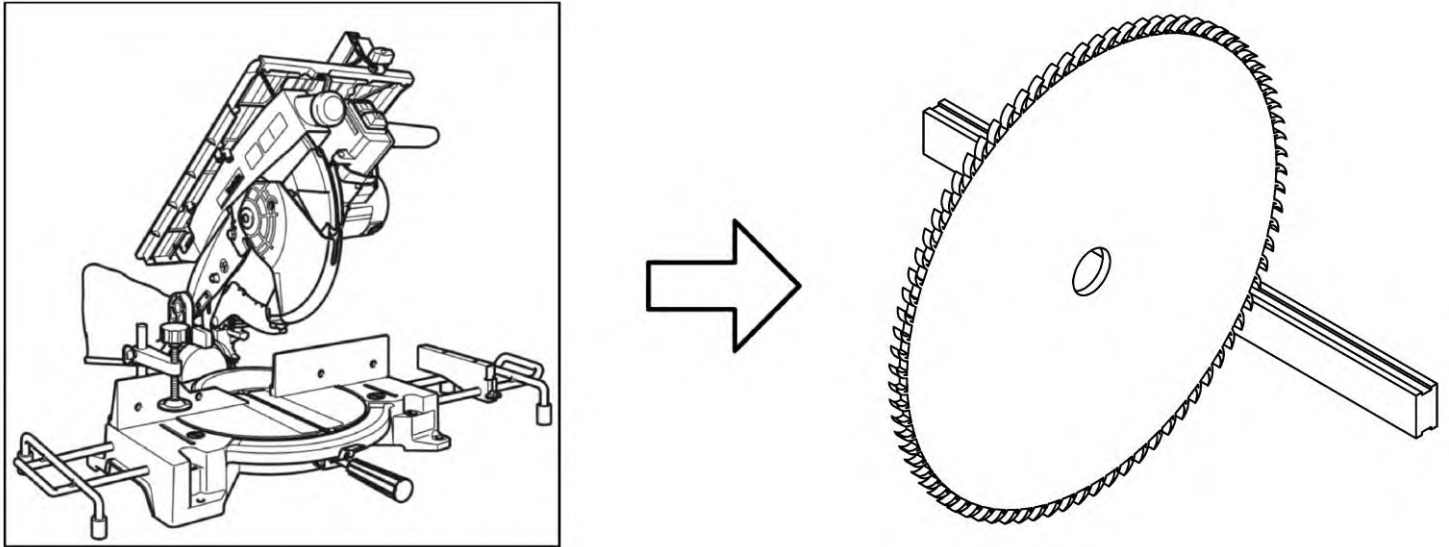


Assembly Example

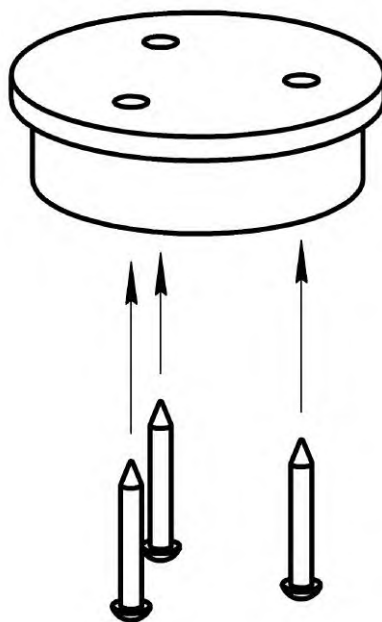


5.2. SUSPENDED RIGID HANGERS MOUNTING

1. Make a mark on the ceiling according to your design. If using a remote power supply, position it for easy accessibility;
2. If needed, cut the track to the required length at a 90-degree angle;

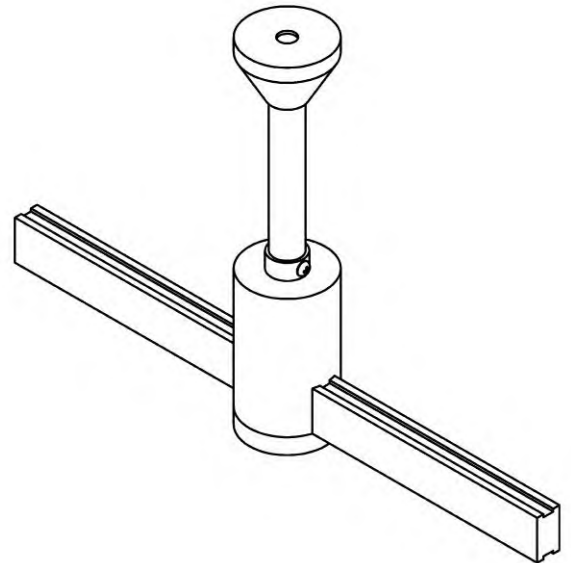
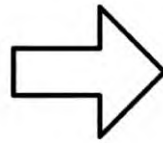
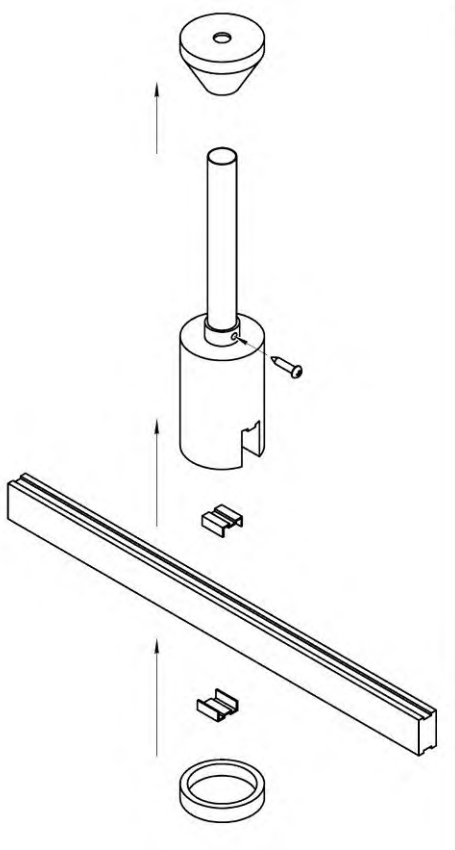


3. Install all necessary wall mount bases on the ceiling according to the markings;

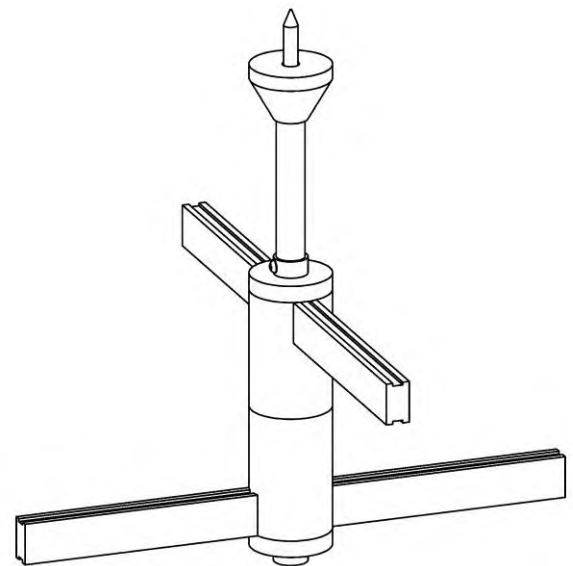
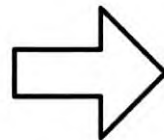
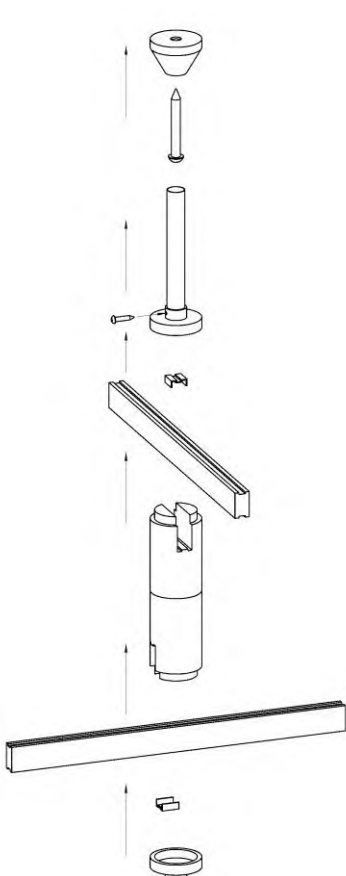


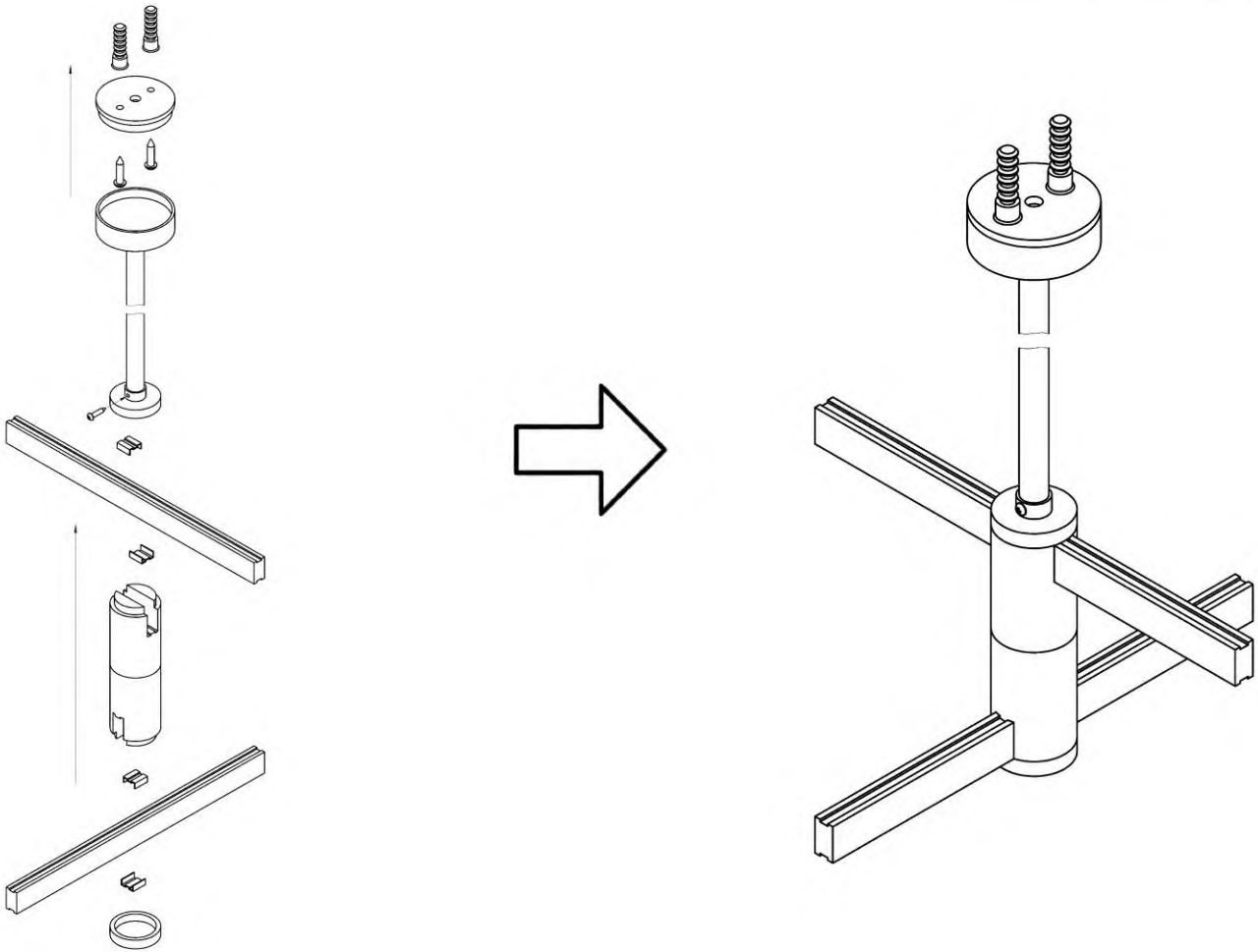
4. Assemble the desired configuration using various sizes of rigid ceiling mounts and track wires;

Single-level Assembly

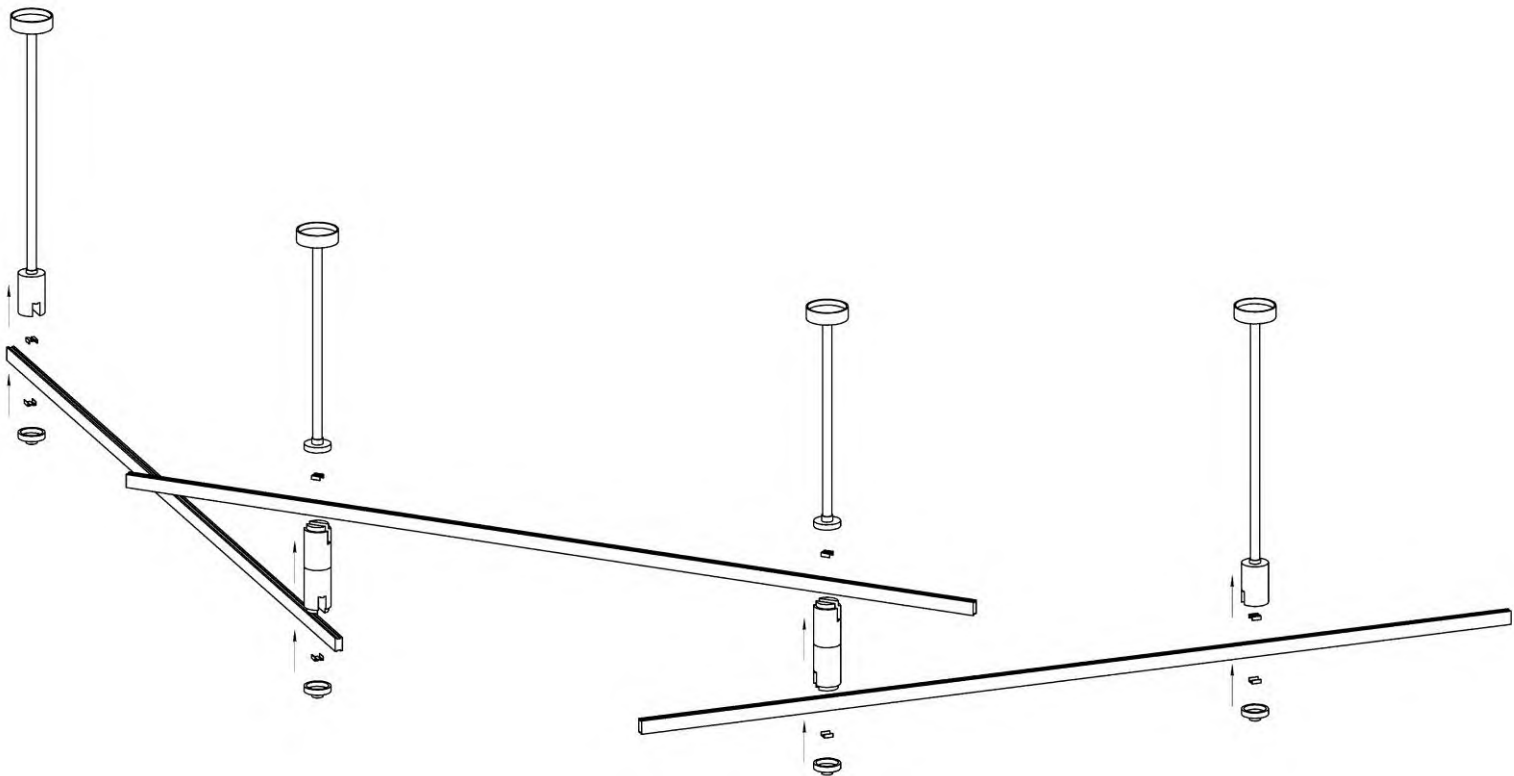


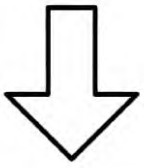
Dual-level Assembly



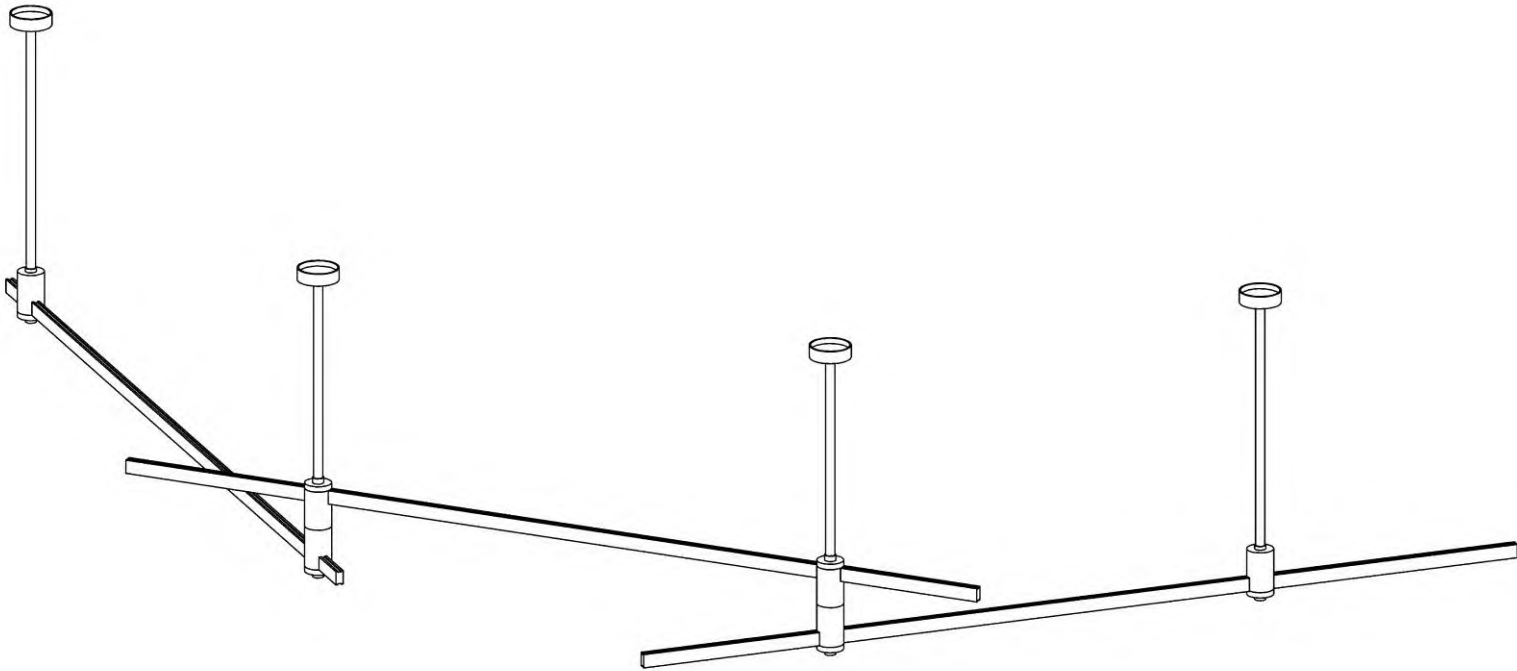


Assembly Example



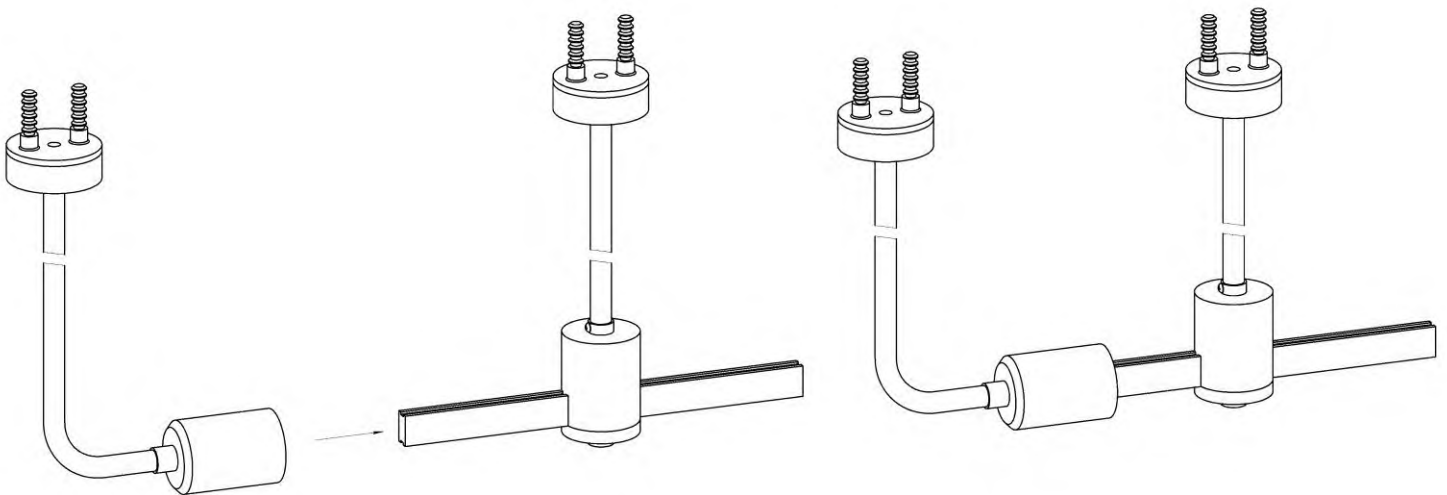


1. TRX154-11 track;
2. TRA158CL-S1 elongated single ceiling mount;
3. TRA158C-D1 double ceiling mount.



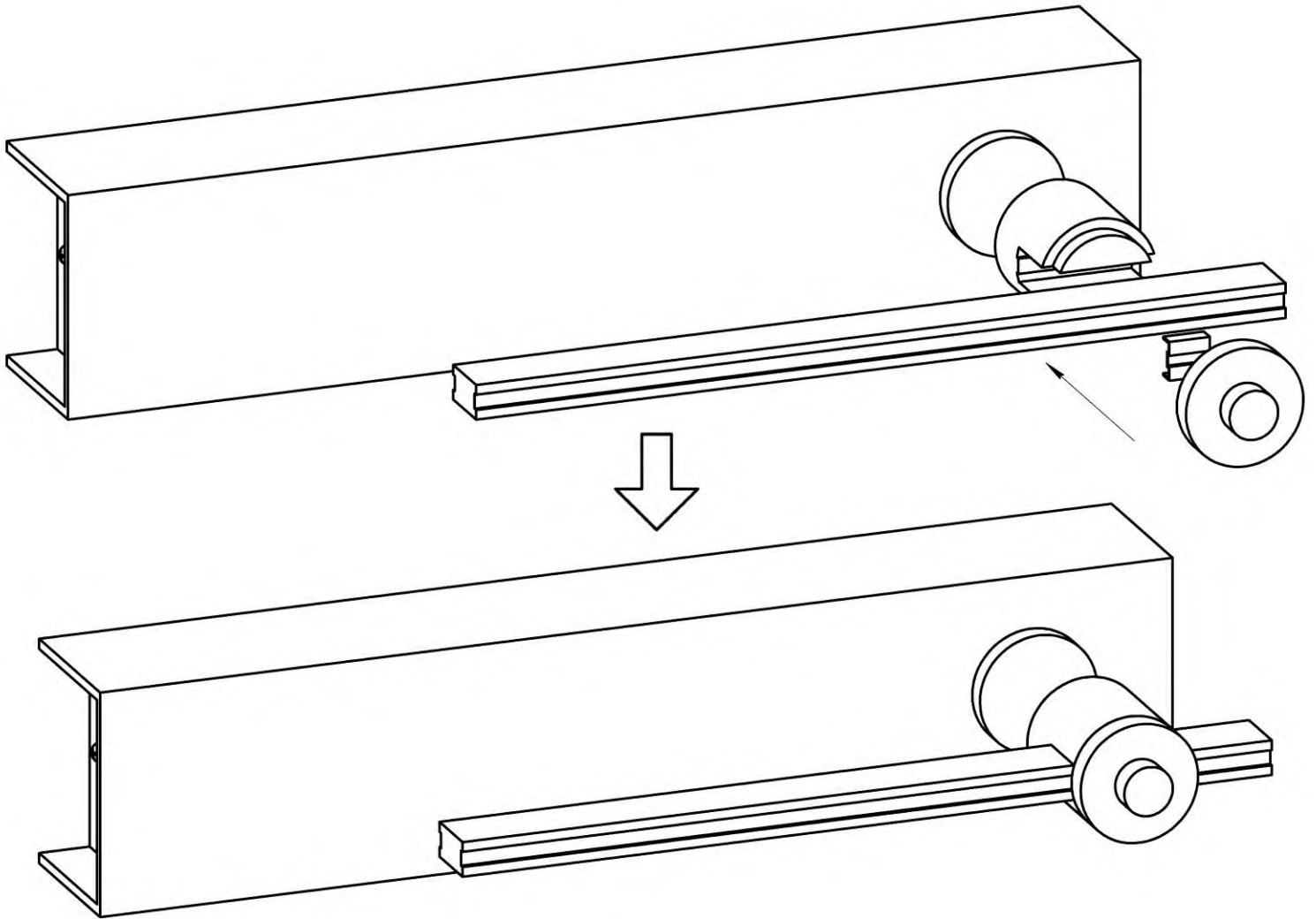
4. Connection to the track

4.1. Connect the power supply inlet to the track of the assembly. Connect the 24V power supply to the power inlet (refer to section 8).



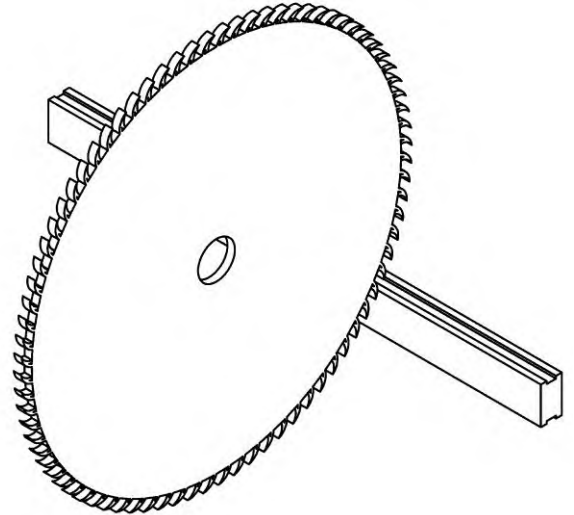
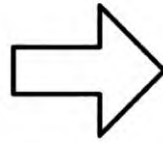
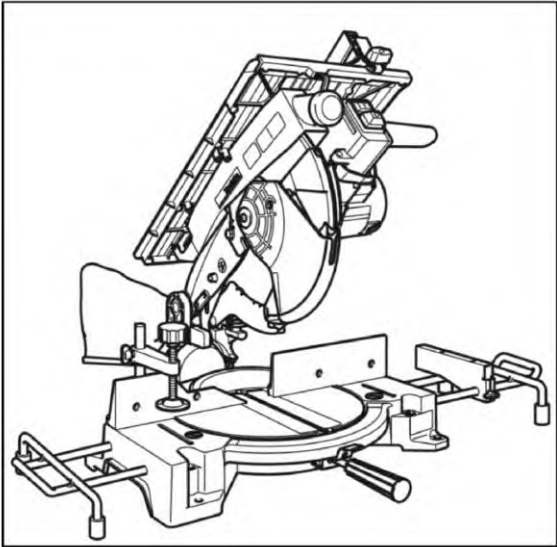
Attention! A ceiling mount with a power input can be used to energize the assembly (refer to your system's scope of supply).

5.2. Connect the power supply base to the track. Connect the 24V power supply to the power supply base (refer to section 8).

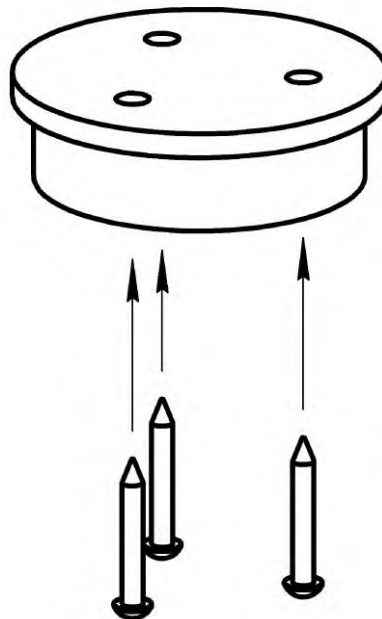


5.3. SUSPENDED CABLE MOUNTING

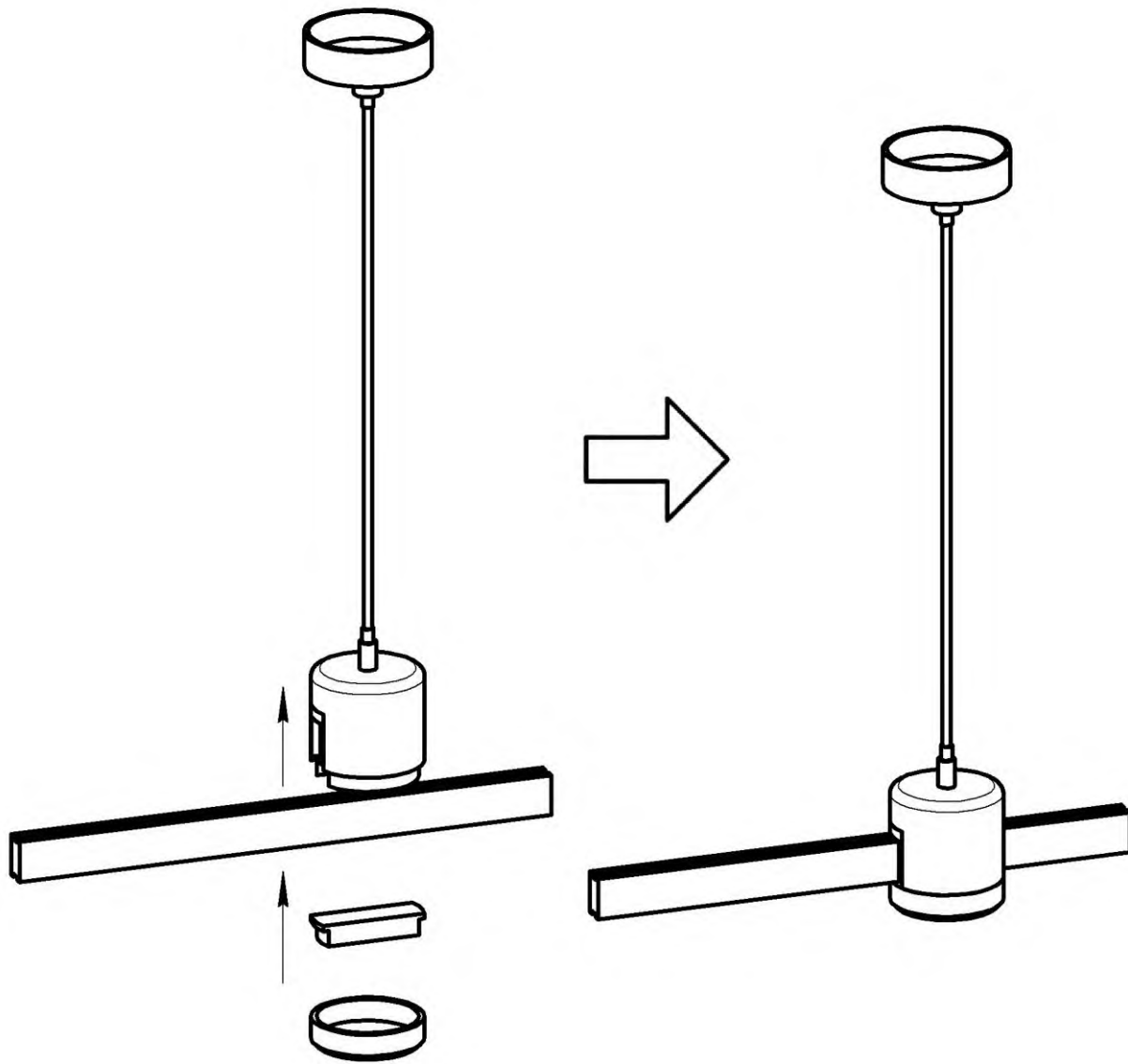
1. Mark the ceiling according to your design. If using a remote power supply, position it for easy accessibility;
2. If needed, cut the track to the required length at a 90-degree angle;



3. Install all necessary wall mount bases on the ceiling according to the markings;

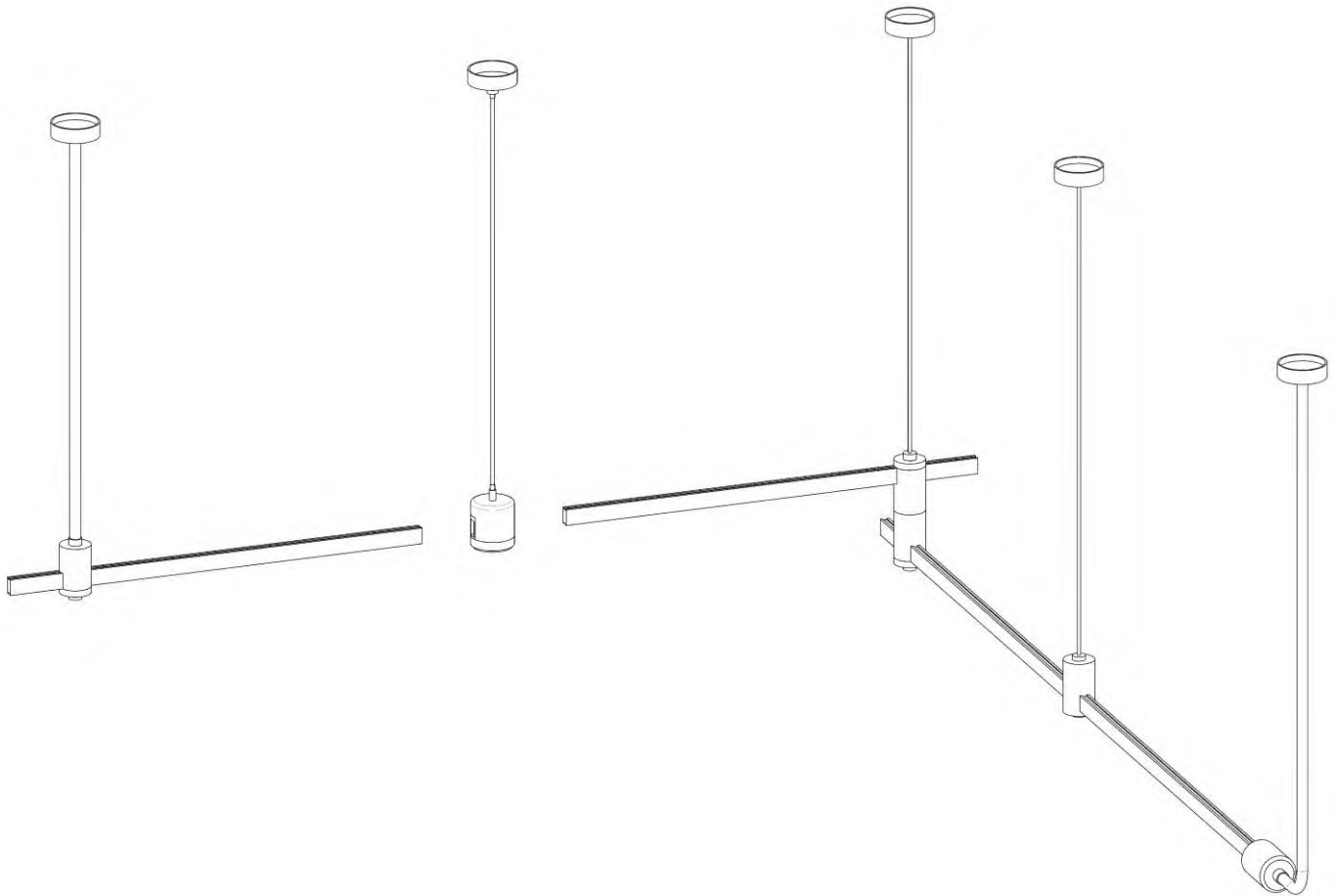


4. Assemble the desired configuration using cable hangers and tracks;



Attention! The maximum allowable load on the cable for suspended installation is 5 kg per meter.

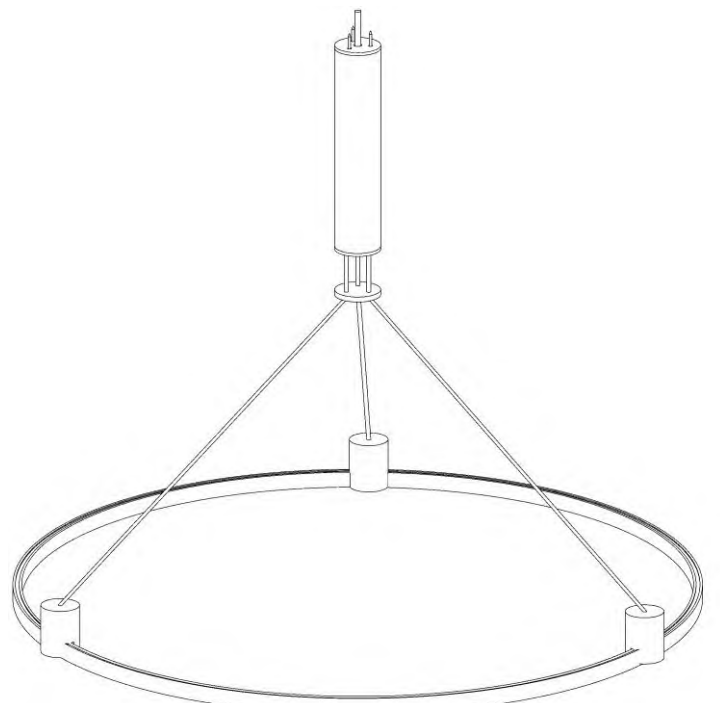
Assembly Example



5.4. SUSPENDED MOUNTING USING THE SUSPENSION KIT FOR ROUND TRACKS

Example of an assembly of a suspension set with round track

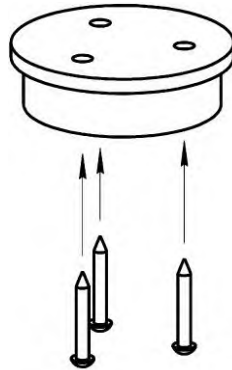
1. TRA154SW-BB-R suspension kit with integrated power supply base for round track mounting
2. TRX154-R-D round track



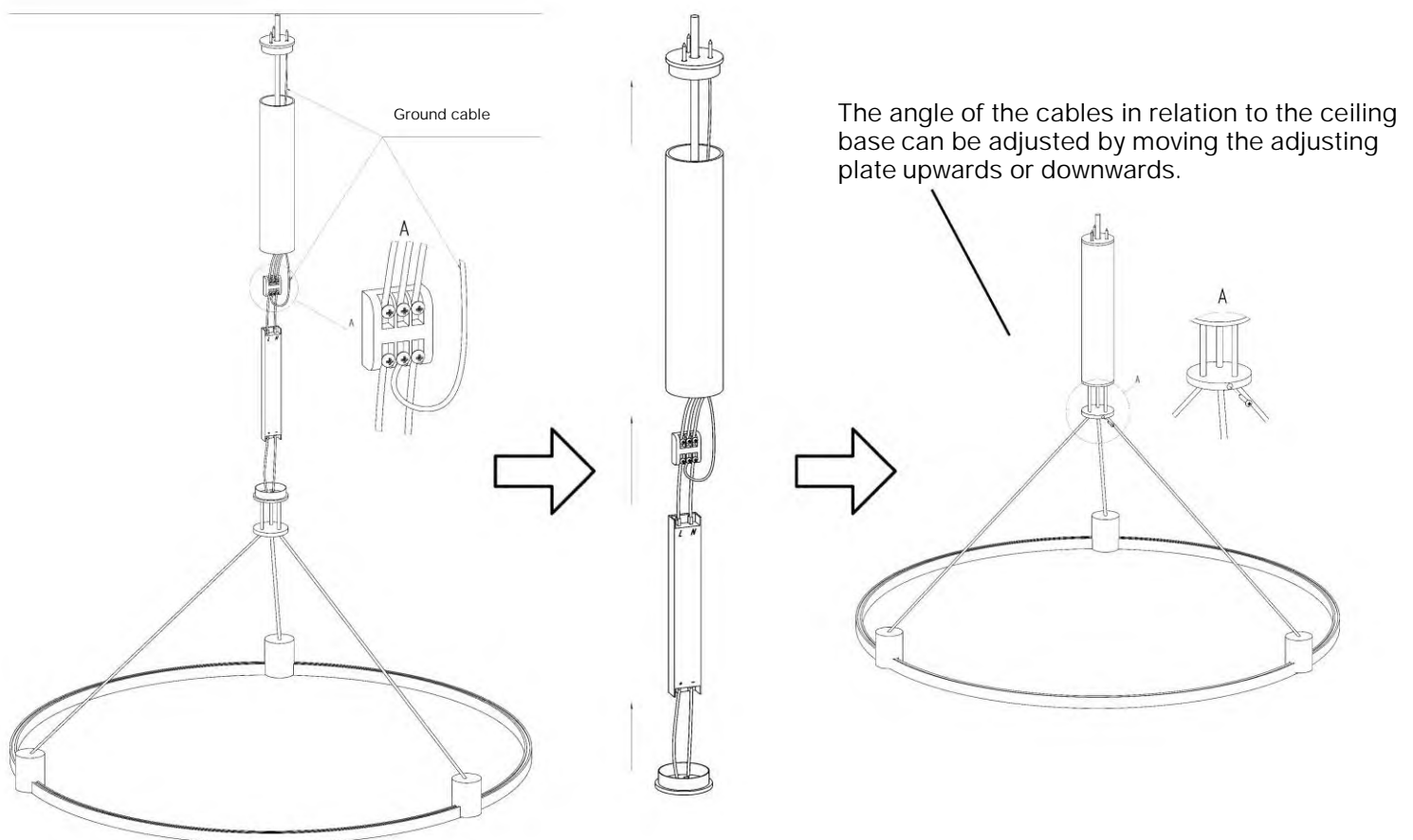
Attention! The round tracks are available in diameters of 800 mm and 650 mm.

Example of Assembly for a Suspension Set with Round Track

1. Mount the base of the suspension set on the ceiling according to the markings;

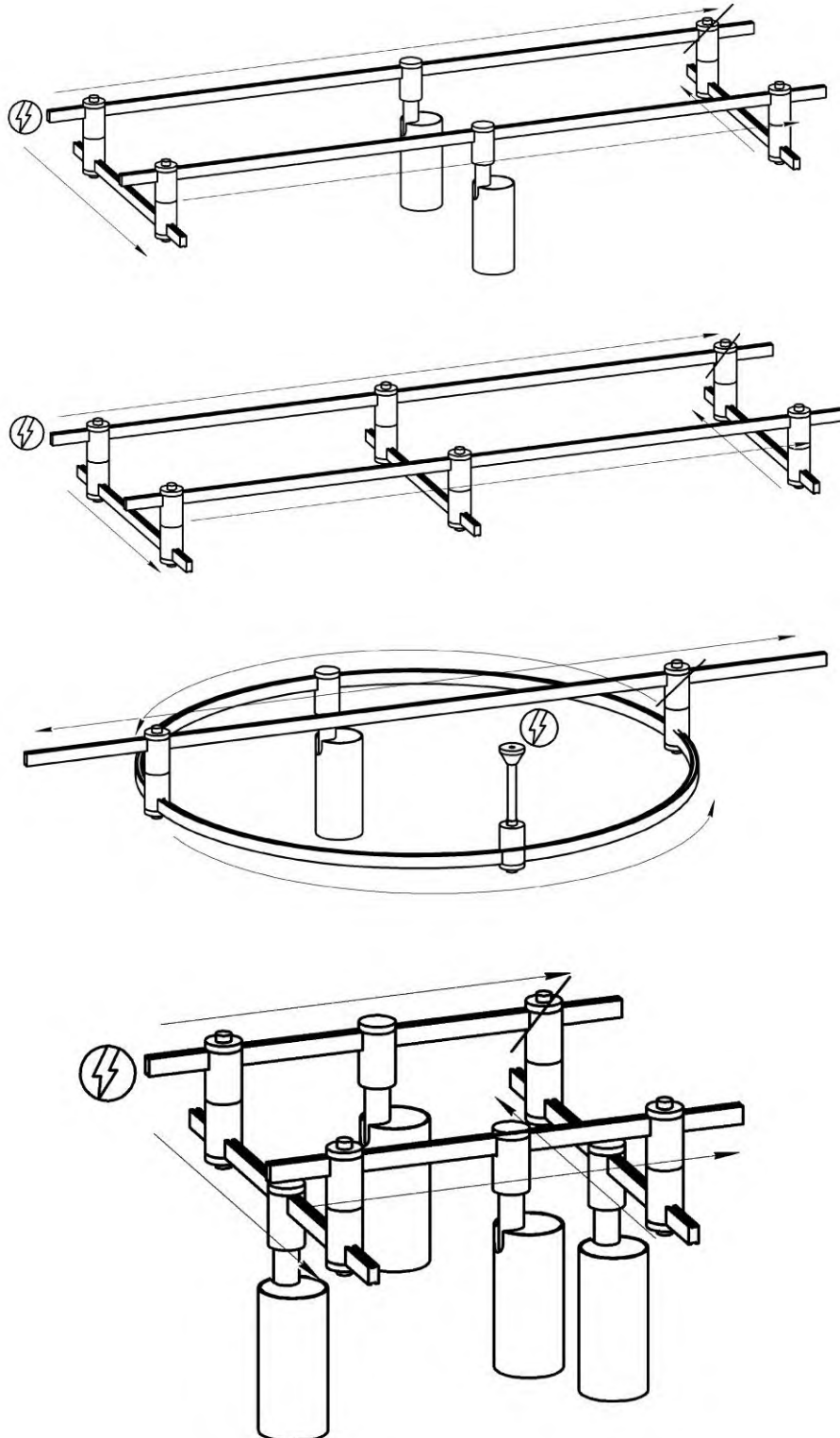


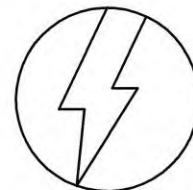
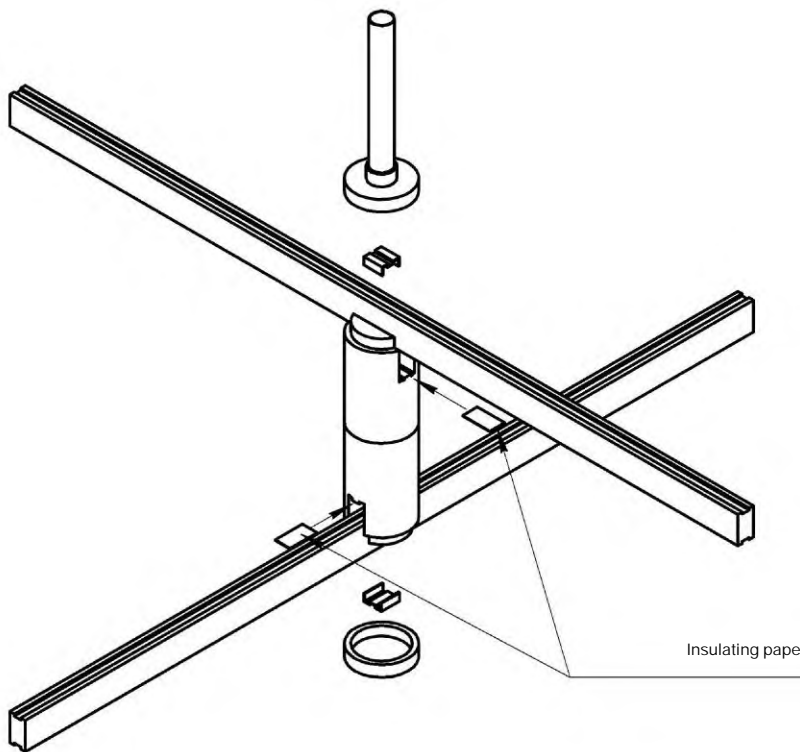
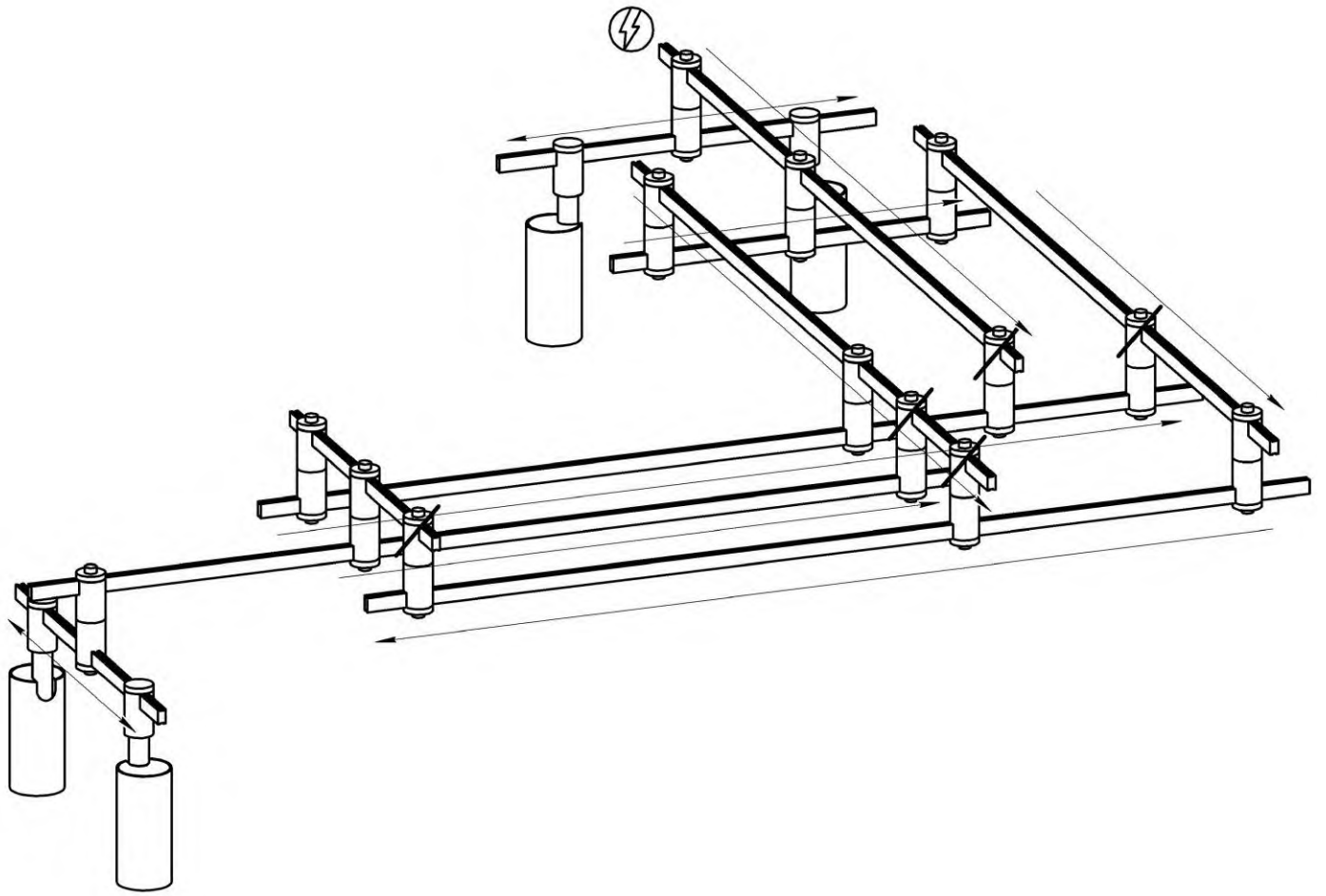
2. Disassemble the ceiling bowl and connect the power supply according to the markings. Connect the connectors to the round track, secure the cable, and fasten the structures to the ceiling base. Adjust the height of the luminaire by pressing the lock and releasing the desired length of cable up or down;



6. USE OF INSULATING PAPER IN THE INSTALLATION OF DUAL-LEVEL ELECTRICAL CIRCUITS

When modifying Flarity's dual-level closed loop lighting circuits, it is crucial to consider the potential for short circuits when turning and installing the double connectors, as they are conductive. Therefore, it is recommended to use insulating paper on the contacts of the double connectors as illustrated in the examples below:



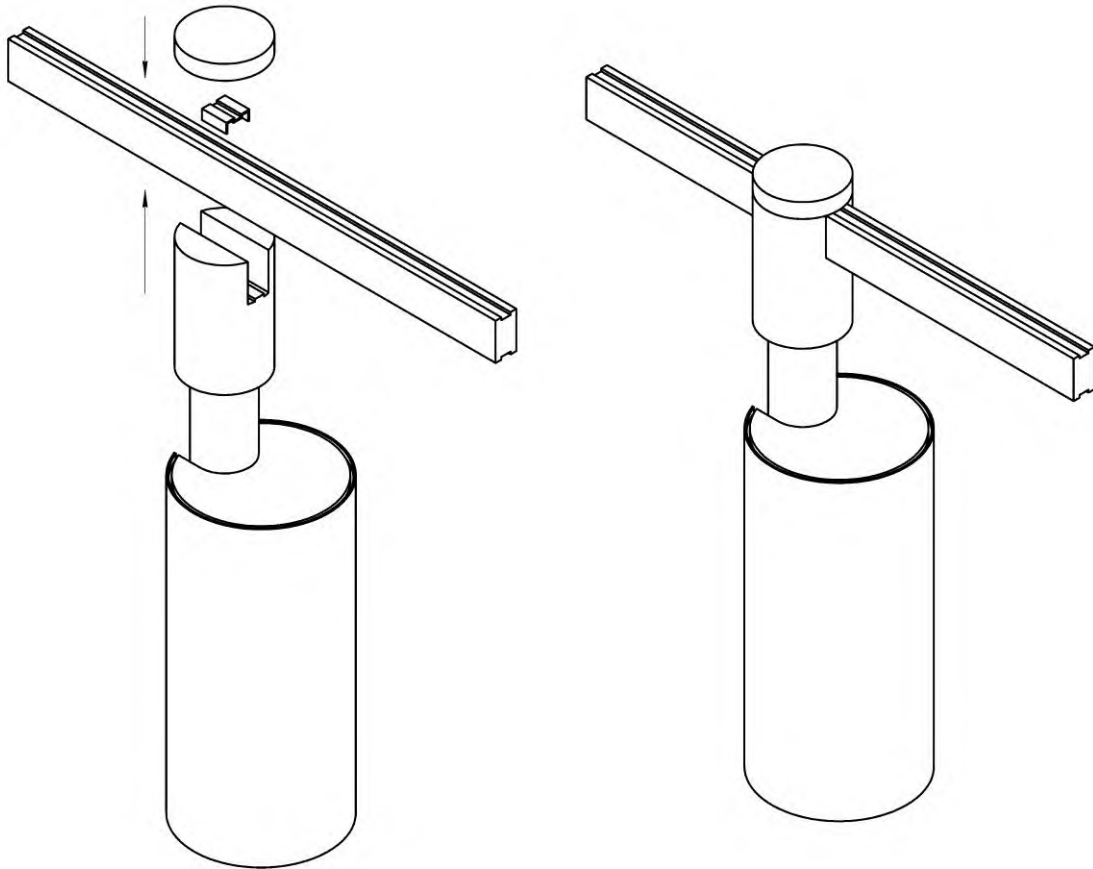


Power inlet



Power disconnect

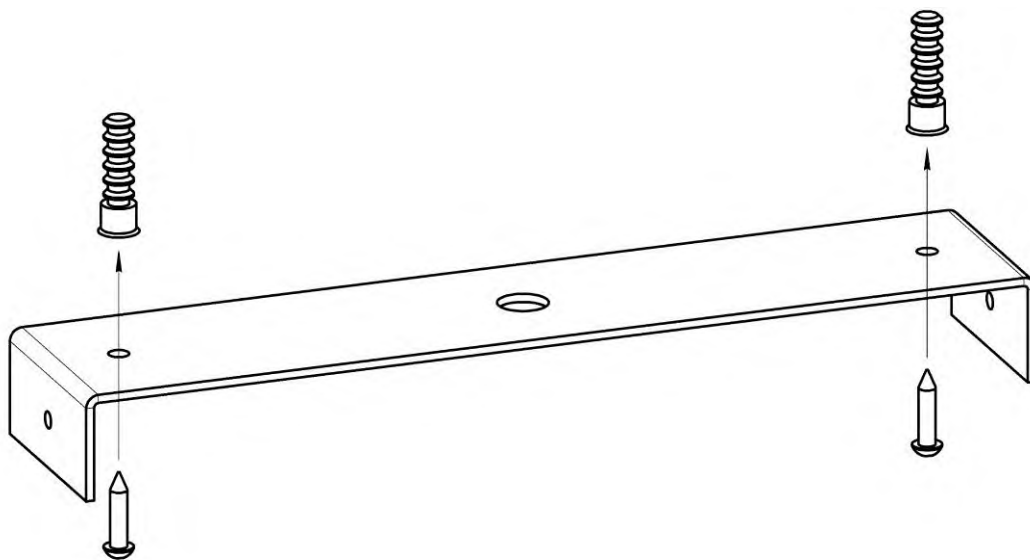
7. CONNECTING THE LUMINAIRE TO THE TRACK SYSTEM



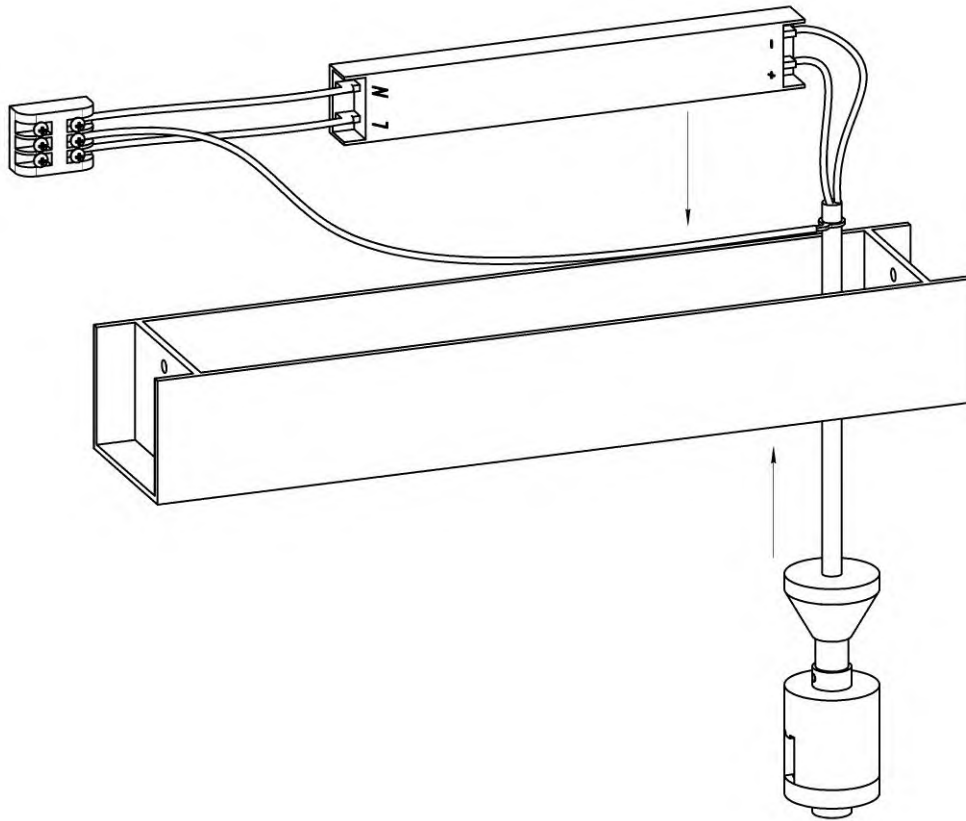
8. POWER SUPPLY UNIT CONNECTION

8.1. INSTALLATION OF THE WALL AND CEILING BASE FOR THE POWER SUPPLY UNIT

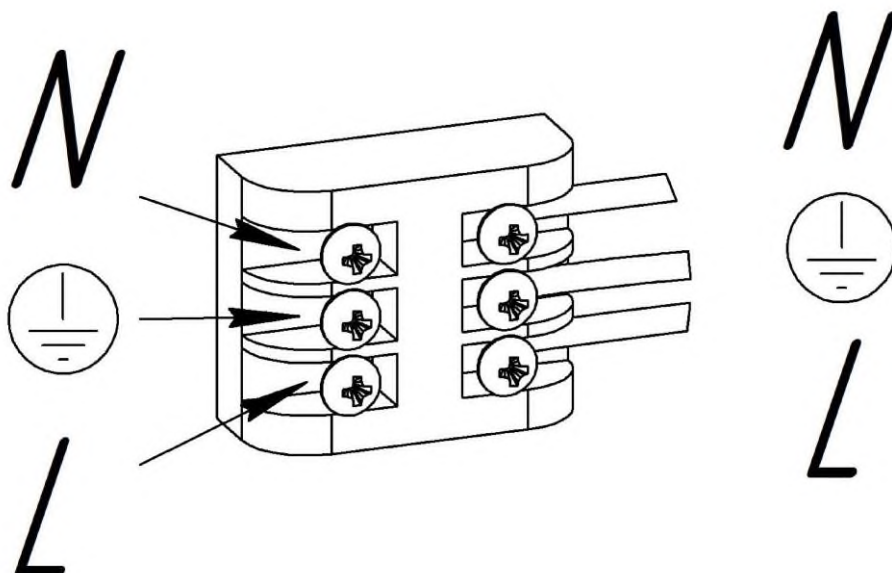
1. Use the fasteners to mount the bracket to the wall or ceiling;



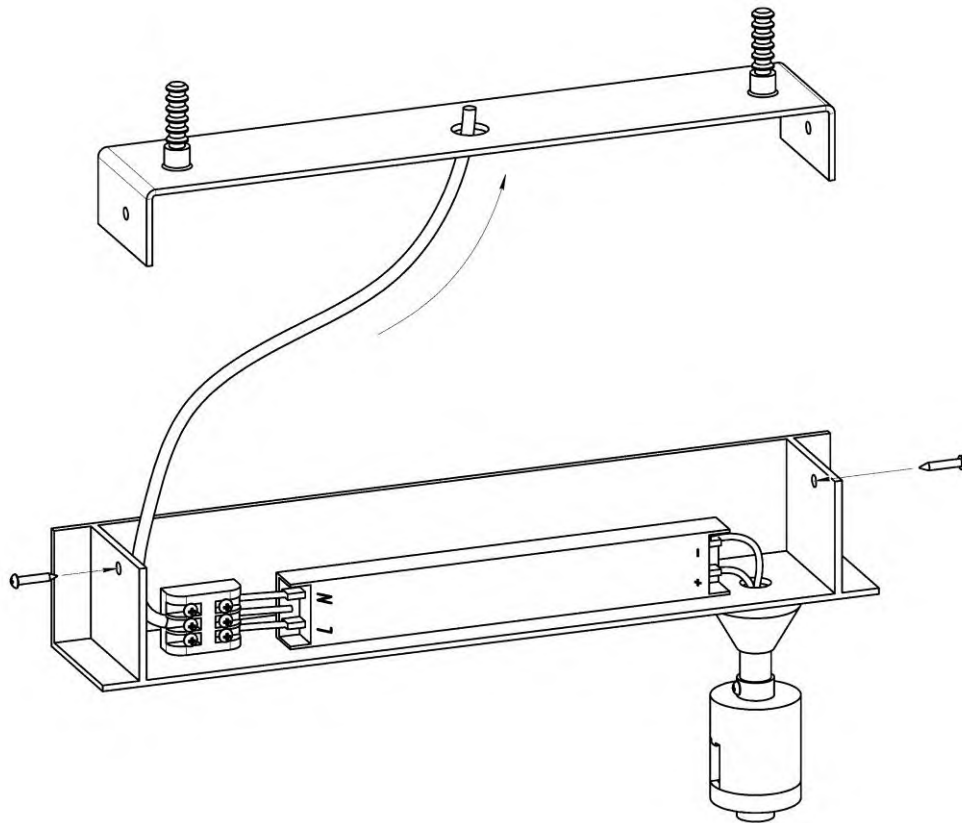
2. Screw the connector to the base;
3. Place the power supply unit into the base and connect to the connector.
The polarity and color of the wires do not matter;



4. Use the power supply wires from the 230V/50Hz household power supply and connect them to the power supply unit according to the markings (L, N, PE);

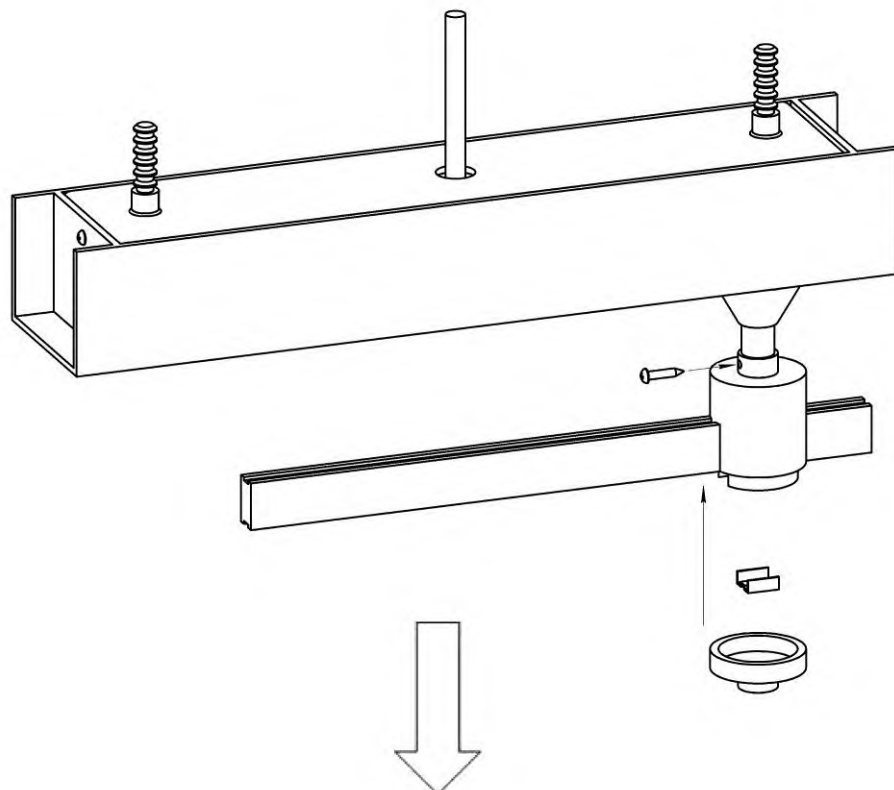


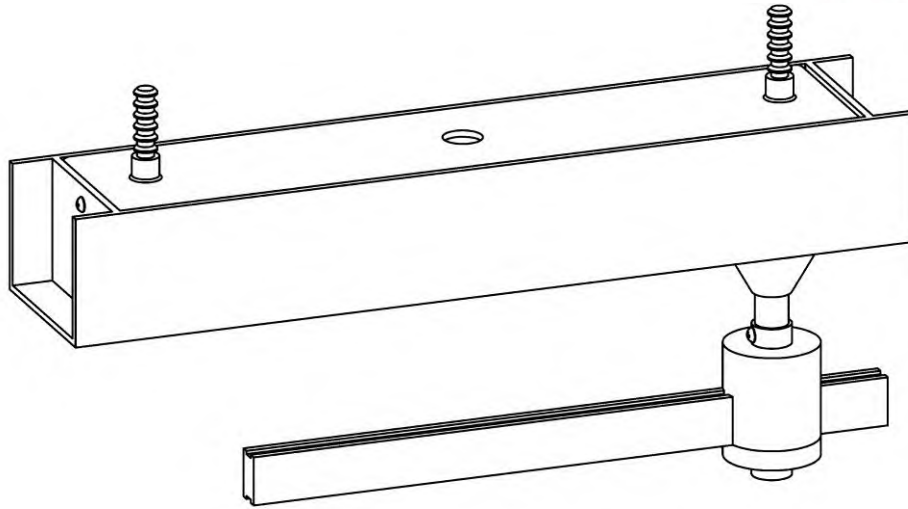
5. Secure the power supply base to the mounting bracket;



Attention! All installation work must be conducted with the power supply disconnected and must be performed by a qualified electrician.

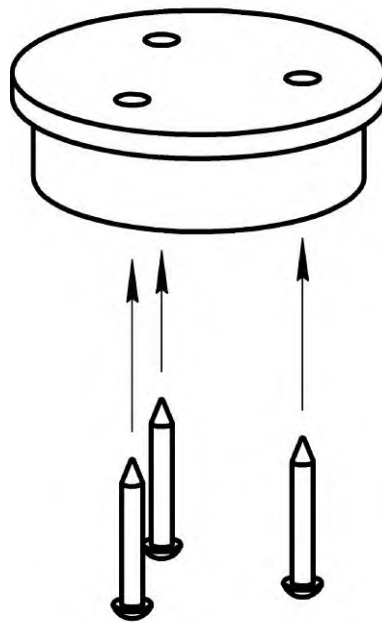
6.C onnect the connector to the track.



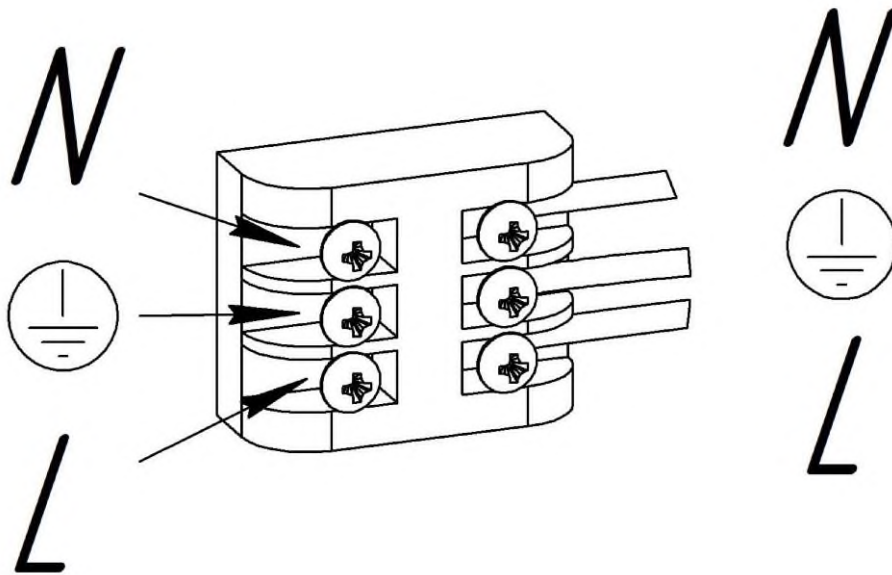


8.2. CONNECTING THE POWER SUPPLY UNIT TO THE SIDE POWER INLET

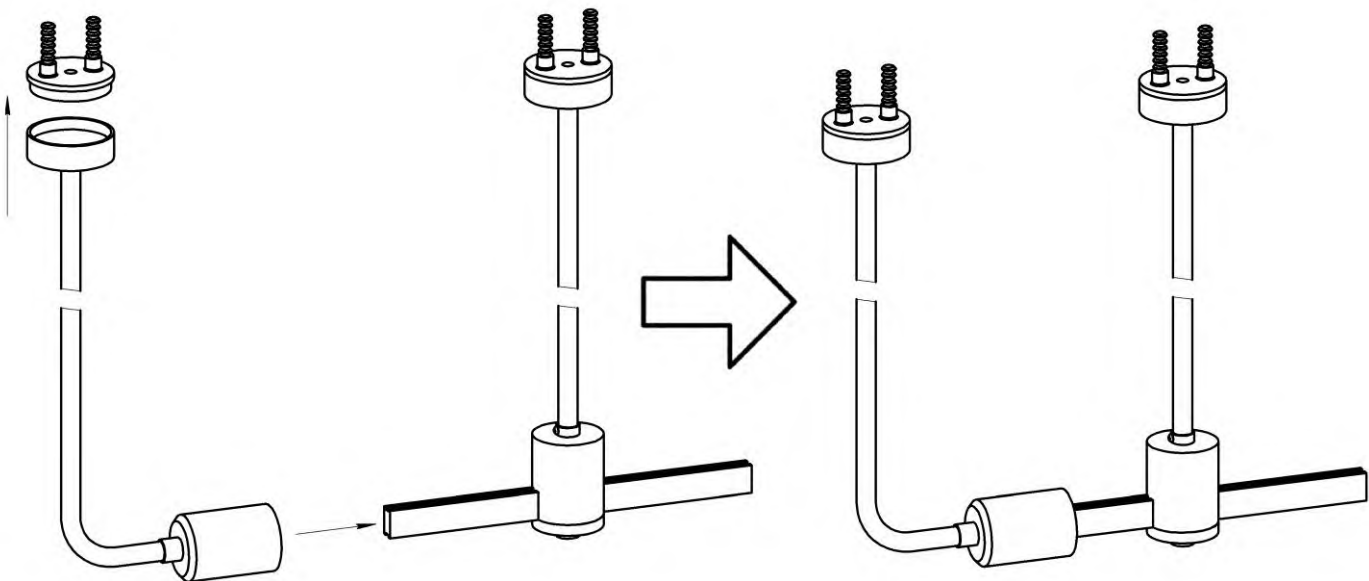
1. Secure the power supply input base to the mounting surface;



2. Use the power supply wires from the 230V/50Hz household power supply and connect them to the power supply unit according to the markings (L, N, PE);



3. Connect the power inlet wires to the power source. The polarity and color of the wires do not matter;
4. Attach the power input to the base and connect it to the track;
5. Mount the luminaire to the track (refer to section 7);

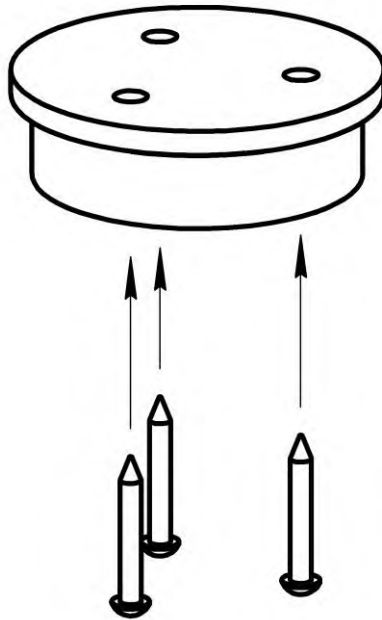


6. Turn on the power supply.

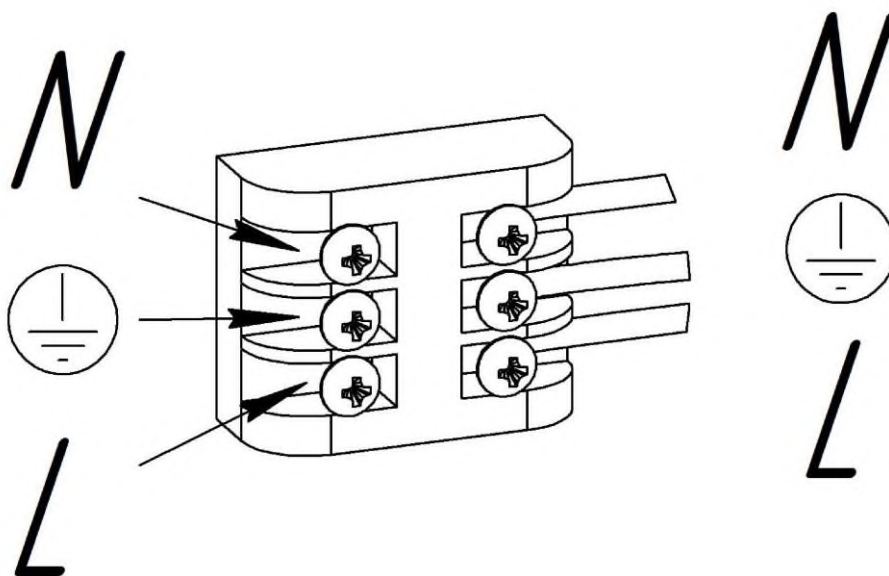
Attention! All installation work must be conducted with the power supply disconnected and must be performed by a qualified electrician.

8.3. CONNECTING THE POWER SUPPLY UNIT VIA CEILING MOUNT WITH POWER INLET

1. Secure the bases of the rigid hanger to the ceiling surface;

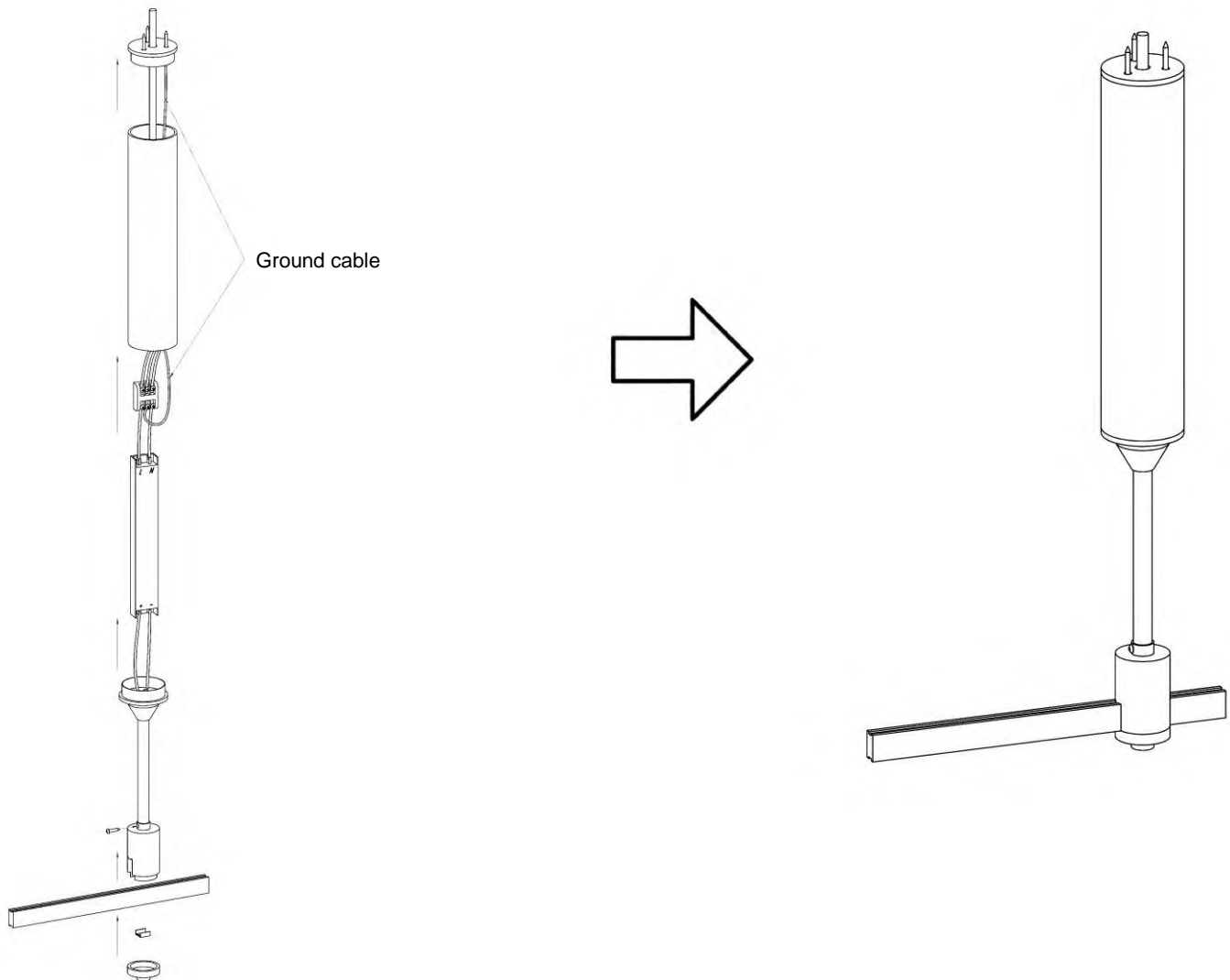


2. Use the power supply wires from the 230 V/50 Hz household power supply and connect them to the power supply according to the markings (L, N, PE);



3. Connect the power inlet wires to the power source.

The polarity and color of the wires do not matter. Secure the rigid hanger with the power input to the base and connect it to the track cable;



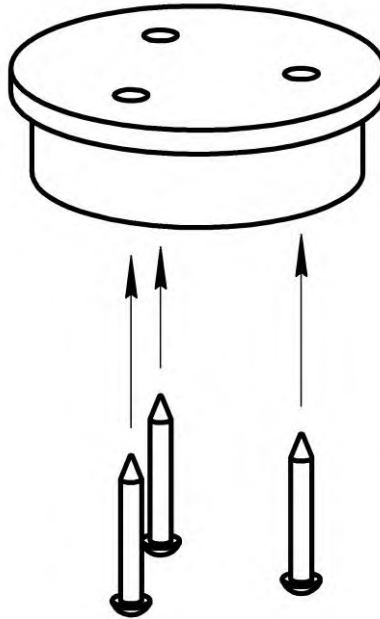
4. Mount the luminaire to the track (refer to section 7);

5. Turn on the power supply.

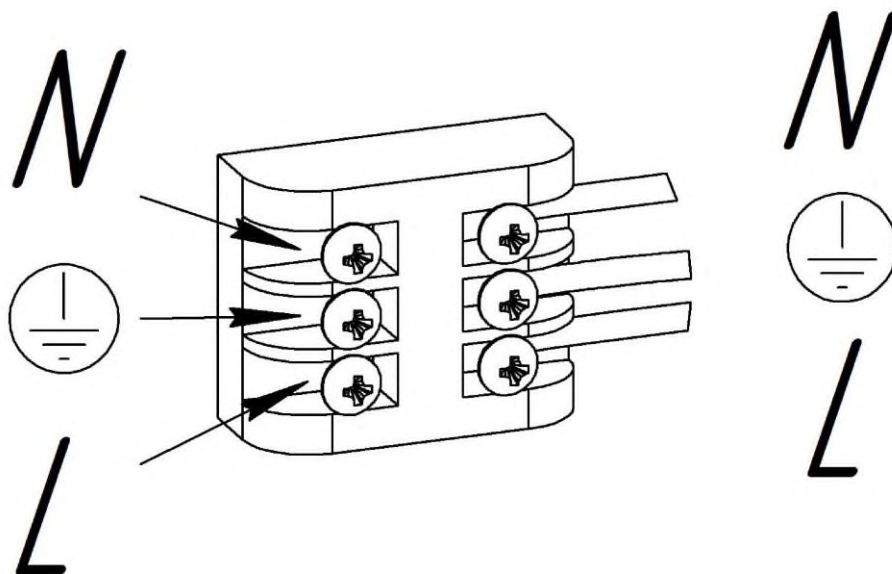
Attention! All installation work must be conducted with the power supply disconnected and must be performed by a qualified electrician.

8.4. CONNECTING THE POWER SUPPLY UNIT VIA A SUSPENSION KIT FOR ROUND TRACKS

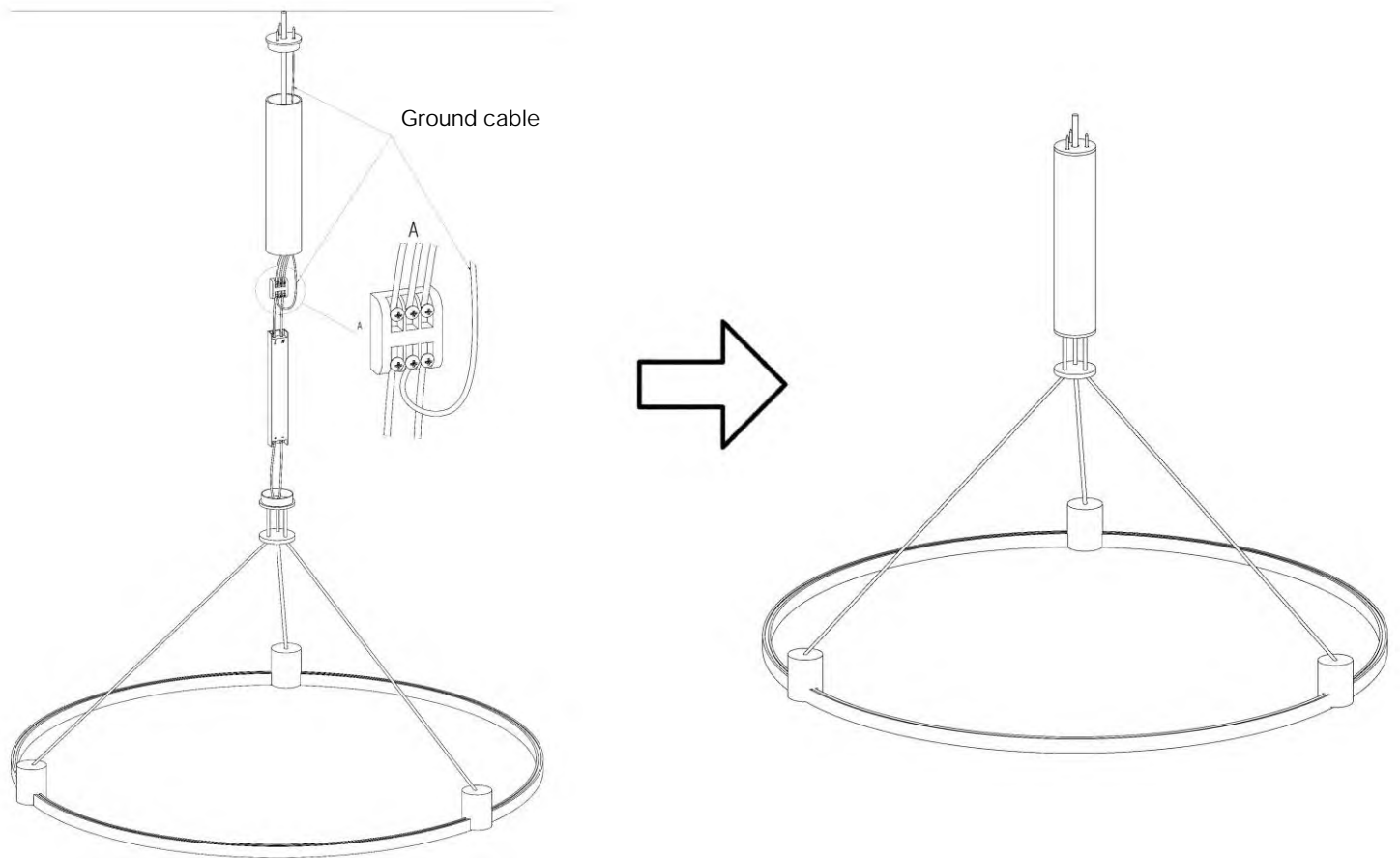
1. Secure the bases of the suspension set to the ceiling surface;



2. Use the power supply wires from the 230V/50Hz household power supply and connect them to the power supply unit according to the markings (L, N, PE).



3. Place the power supply unit in the bowl of the suspension set and connect it to the live wire. The polarity and color of the wires do not matter. Secure the suspension set bowl to the base of the suspension set:



4. Mount the luminaire to the track (refer to section 7);
5. Turn on the power supply.

Attention! All installation work must be conducted with the power supply disconnected and must be performed by a qualified electrician.

9. OPERATING RULES

1. Track conductors with conductive contacts may only be operated indoors in the absence of an aggressive environment and foreign aerosol particles, at temperatures ranging from 0°C to +50°C, with relative humidity not exceeding 80%;
2. Wall and ceiling mounting options are applicable using series cable hangers and rigid fasteners;
3. The tracks are available in lengths of 1 and 2 meters, as well as in round and semicircular cross-section shapes with diameters of 650 mm and 800 mm;
4. It is permissible to cut segments and form configurations of various shapes using optional accessories;
5. Clean the product with a dry, soft cloth while the mains power is off. Do not use chemically aggressive cleaning agents;
6. All installation and assembly work must be conducted by authorized and qualified personnel. Consult a qualified electrician;
7. All installation and disassembly work must be conducted only when the mains power supply is disconnected;
8. Do not operate the system without a 24V DC power supply. Connecting the track system directly to the 230V 50Hz AC mains will result in failure of the luminaires;
9. When assembling the track system, do not exceed 80% of the total rated power of the power supply with the power of the luminaires;
10. It is not recommended to use several power supplies in parallel load;
11. The maximum allowable load on the cable for suspension mounting is 5 kg per meter;
12. It is forbidden to operate the product with a damaged housing or with damaged insulation of the supply cable.

10. ADDITIONAL INFORMATION

10.1.TROUBLESHOOTING

Malfunction	Cause	Troubleshooting
The luminaire does not work	No contact in joints	Inspect the input cable connection terminals, the connection of the power input terminals to the track, and other connections
	Luminaire failure	Contact your retailer for warranty service or replacement
	Power supply is defective	Contact your retailer for warranty service or replacement
The light is flashing or dimly lit when off	A switch with illuminated keys controls the lighting circuit, or a motion (light) sensor is used	Replace the switch with a model without key backlighting, or which has an additional resistor in its design. Use motion (light) detector only with relay output
Unstable glow, flickering, extraneous sound	A dimmer is installed in the power supply circuit	Remove the dimmer from the circuit, replace it with a switch
	The luminaire driver is faulty	Contact your retailer for warranty service or replacement

10.2. STORAGE

The goods are stored in packaging indoors in a non-aggressive environment. Storage temperature in the range from -20°C to +70°C and relative air humidity not more than 95%. Do not expose directly to moisture.

10.3. TRANSPORTATION

The packaged product is suitable for transportation by sea, rail, road and air.

10.4 DISPOSAL

The product does not contain toxic or chemically hazardous compounds and is subject to solid waste disposal regulations.

10.5 CERTIFICATION

All system components, subject to all the rules specified in the instructions, are safe to use and comply with all the requirements of the Technical Regulations of the Customs Union: 004/2011 "On safety of low-voltage equipment".

10.6 WARRANTY

The product is warranted for 36 months from the date of sale, as evidenced by documents establishing the fact of sale. Warranty service is provided if the malfunction occurred due to the defect in workmanship, and also subject to all the rules of operation, transportation and storage given in this manual.

The warranty is not valid in the following cases: if the product has been used for purposes that do not correspond to its intended use; the defect arose after the transfer of the goods to the consumer and is caused by incorrect or careless handling, non-compliance with the requirements given in this manual. And also in cases of force majeure, including: fire, flood, high-voltage discharges and other natural disasters, accidents and deliberate actions of third parties that caused the product to malfunction.

10.4. MANUFACTURER

Maytoni GmbH, Feldstiege 98, Münster, Germany, 48161

10.5. IMPORTER

Maytoni GmbH, Feldstiege 98, Münster, Germany, 48161

www.maytoni.de

Developed in Germany.

Made in China.

No expiry date.